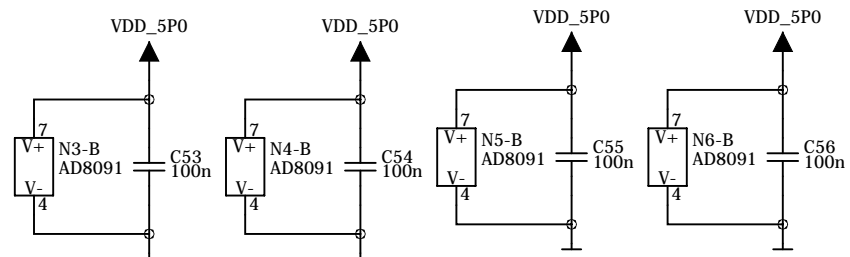
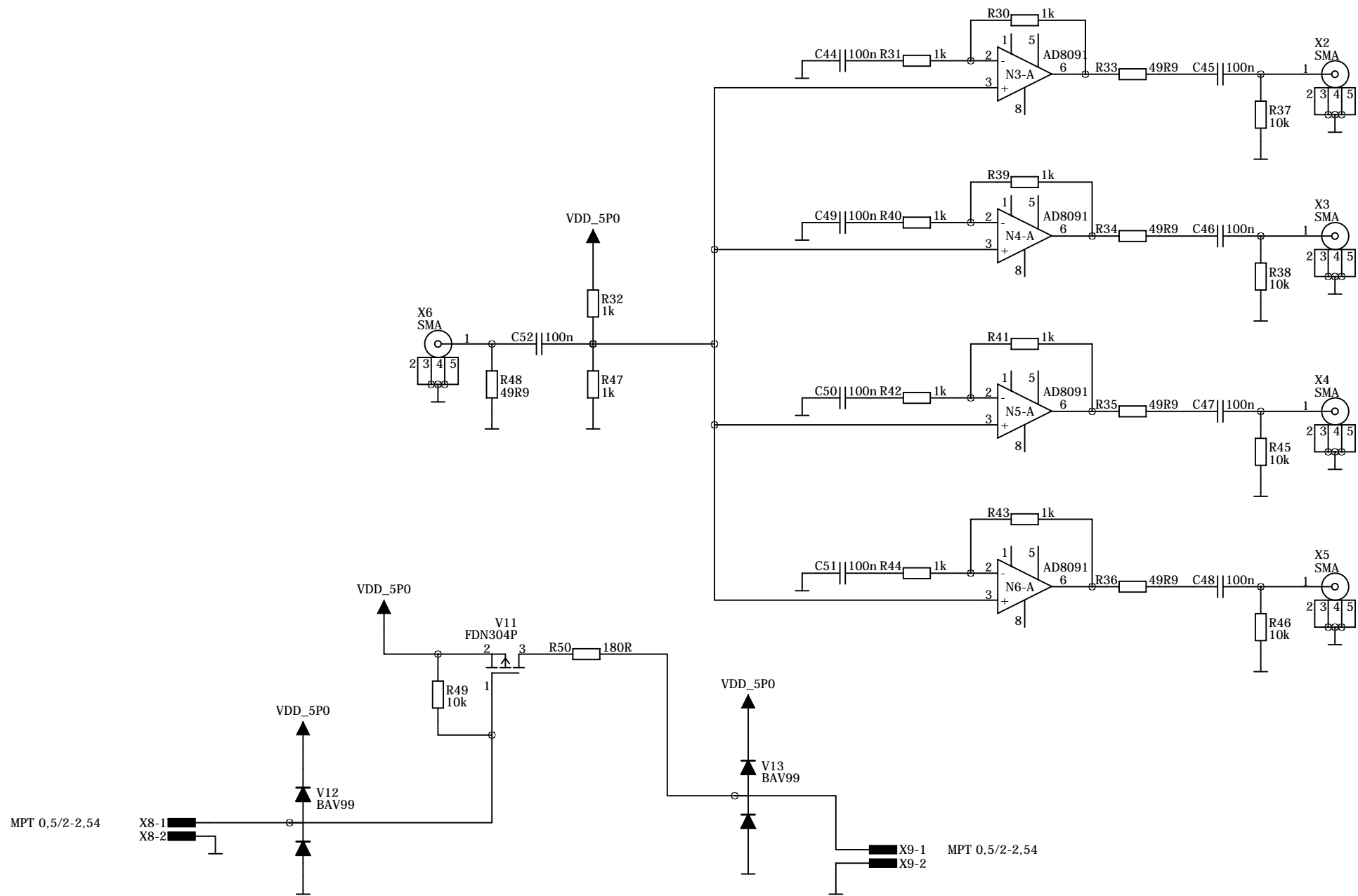


JTA
Design

Rb Freq Ref Pwr
Power

Design date	File name	Version
2012-01-23	RbPwr-01.sch	01
Sheet		1 OF 2



JTA
Design

Rb Freq Ref Pwr
Distribution amplifier

Design date	File name	Version
2012-01-23	RbPwr-01.sch	01
Sheet		2 OF 2