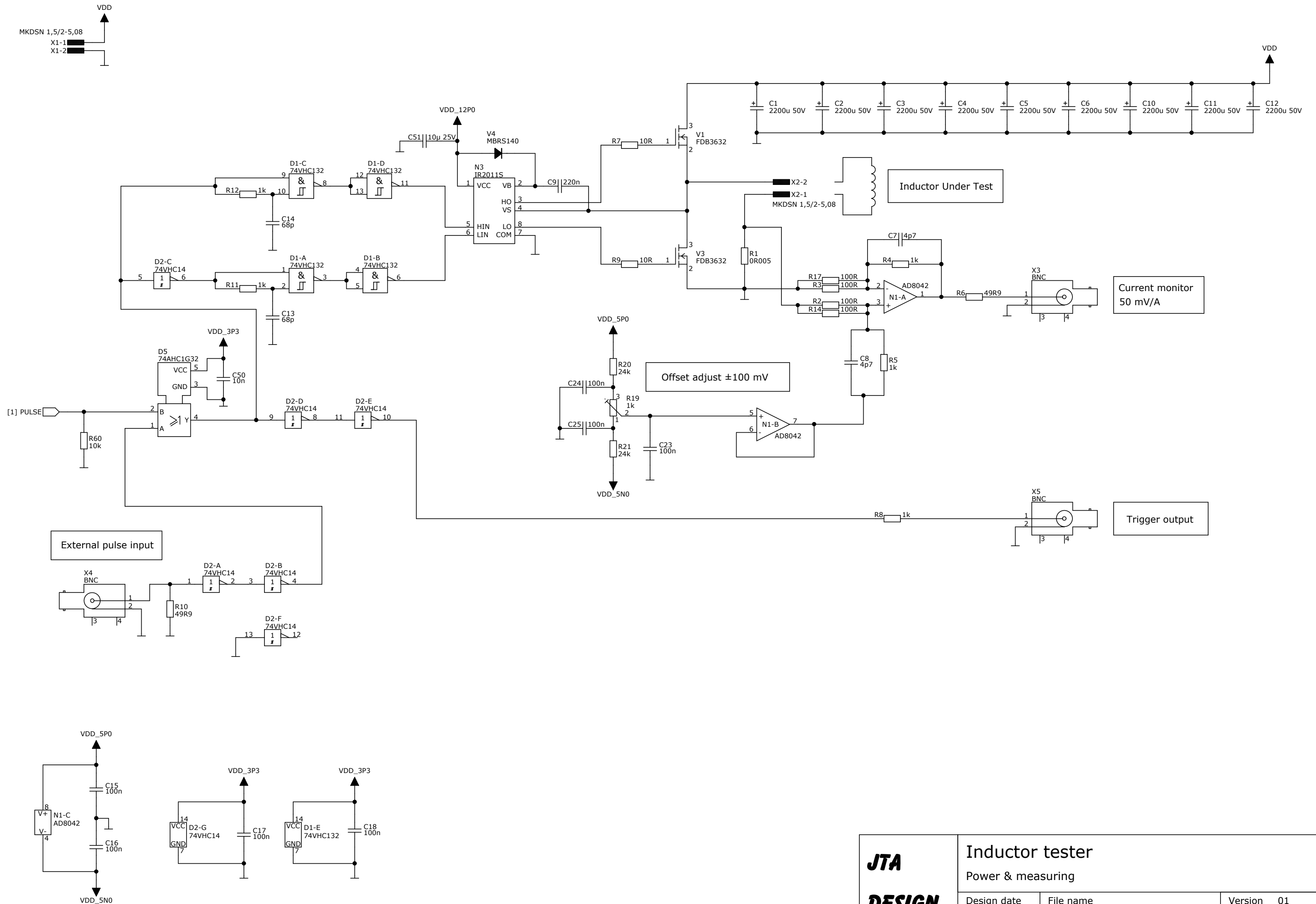
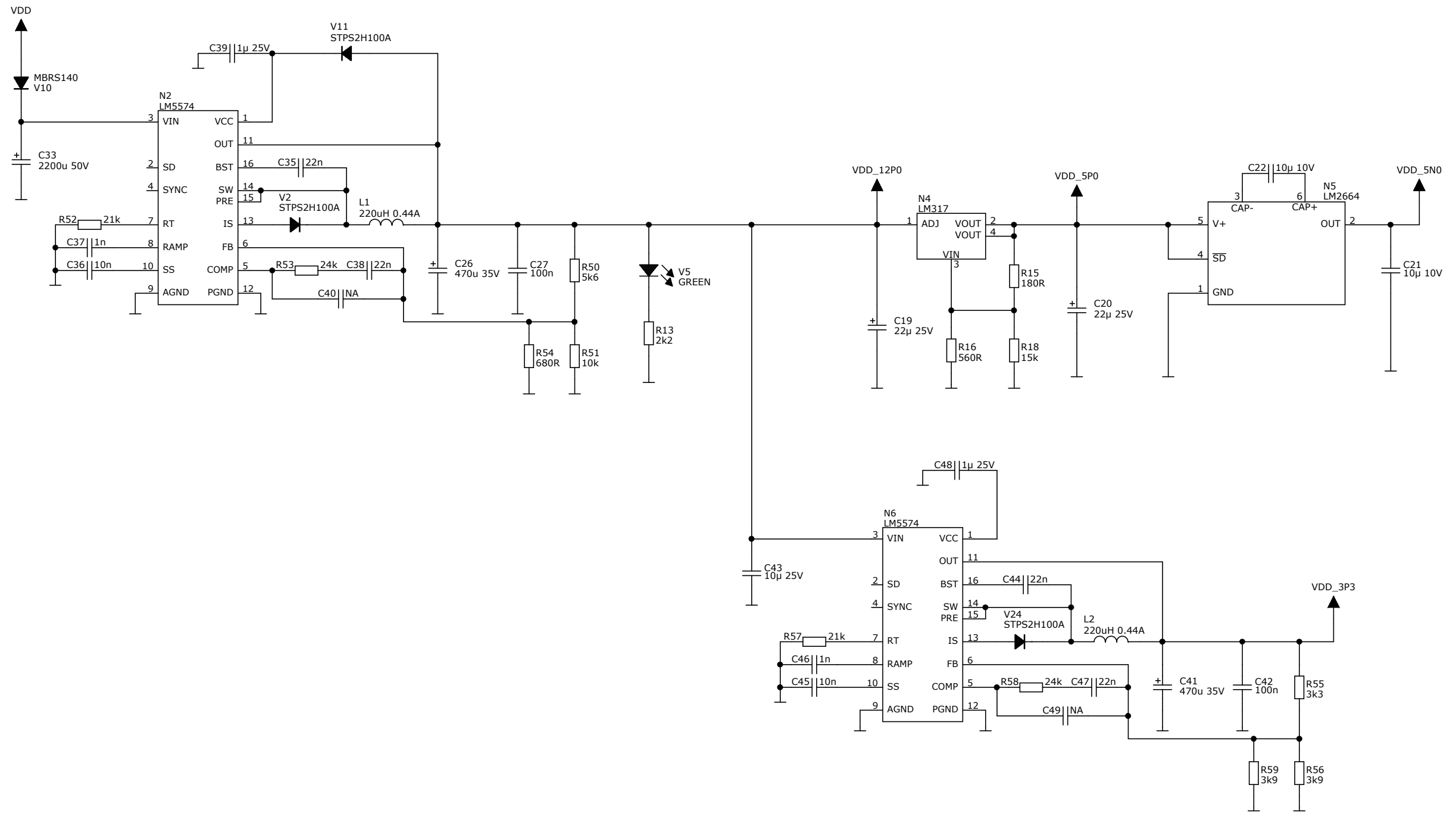


JTA
DESIGN

Inductor tester		User interface	
Design date	File name	Version 01	
2009-12-12	InductorTester-01.sch	Sheet 1 OF 3	



JTA DESIGN	Inductor tester	
	Power & measuring	
Design date	File name	Version 01
2009-12-12	InductorTester-01.sch	Sheet 2 OF 3



JTA DESIGN	Inductor tester Internal power	
	Design date	File name
	2009-12-12	InductorTester-01.sch
	Version	01
	Sheet	3 OF 3