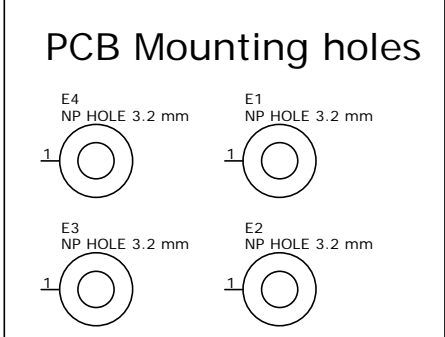
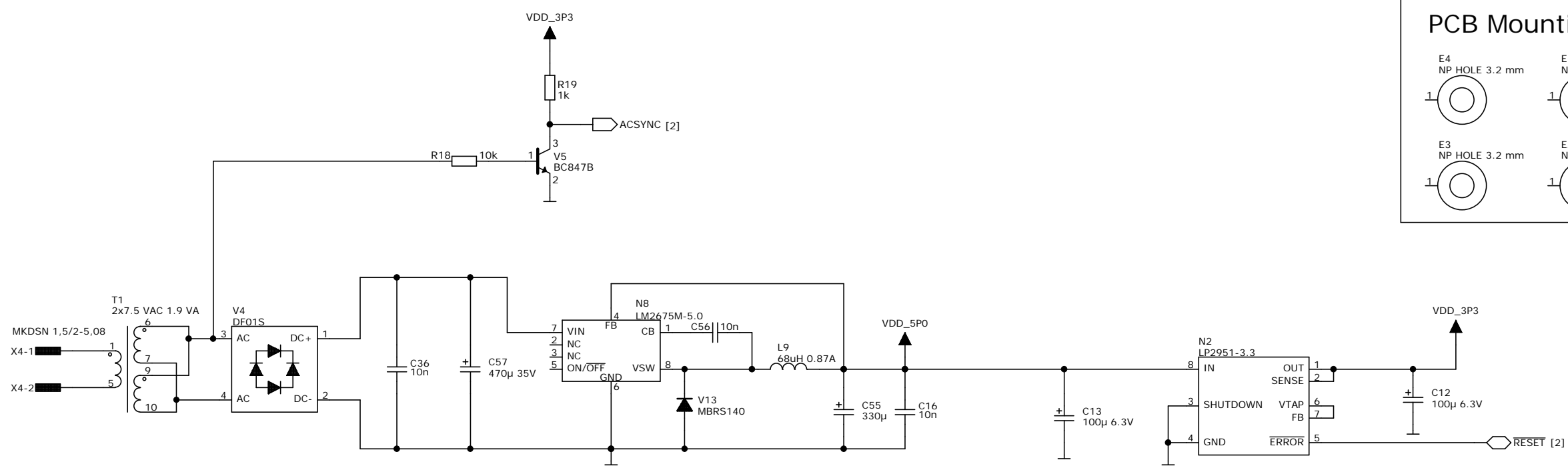
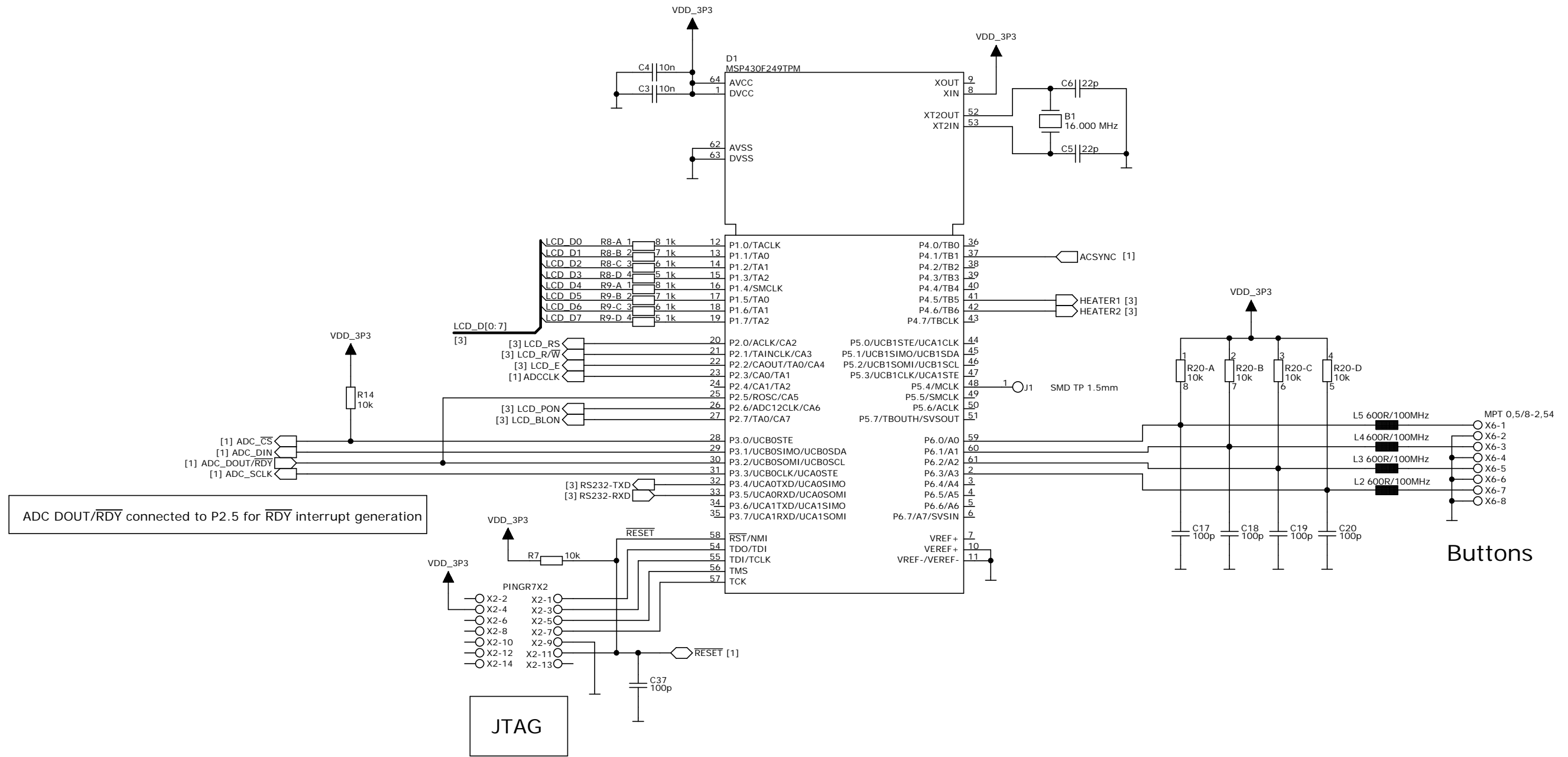


Nominal Uref=1.1802 V @ 210 μ A excitation current
 ADC input G=32 for optimum signal range for 0-200°C measurement range



JTA Design	Heater controller ADC & Power	
	Design date 2009-11-21	File name HeaterController-01.sch
		Version 01 Sheet 1 OF 3



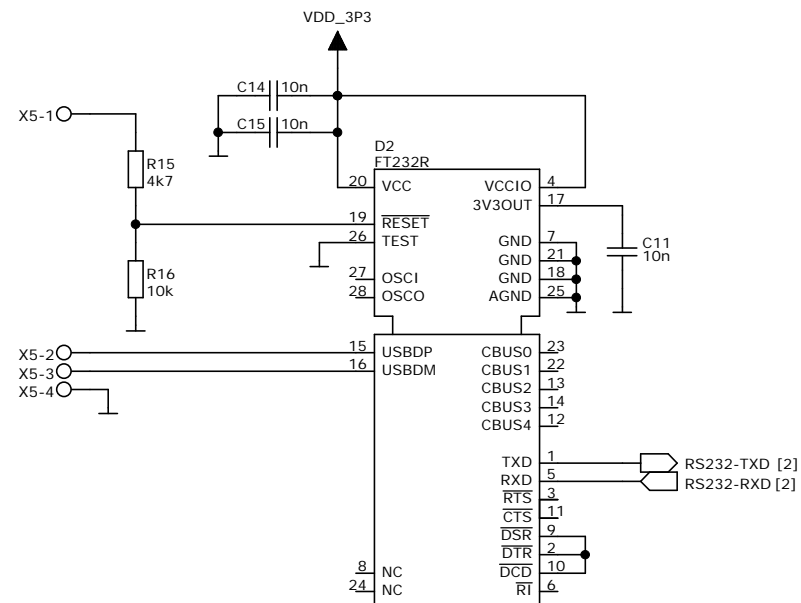
ADC DOUT/ \overline{RDY} connected to P2.5 for \overline{RDY} interrupt generation

JTAG

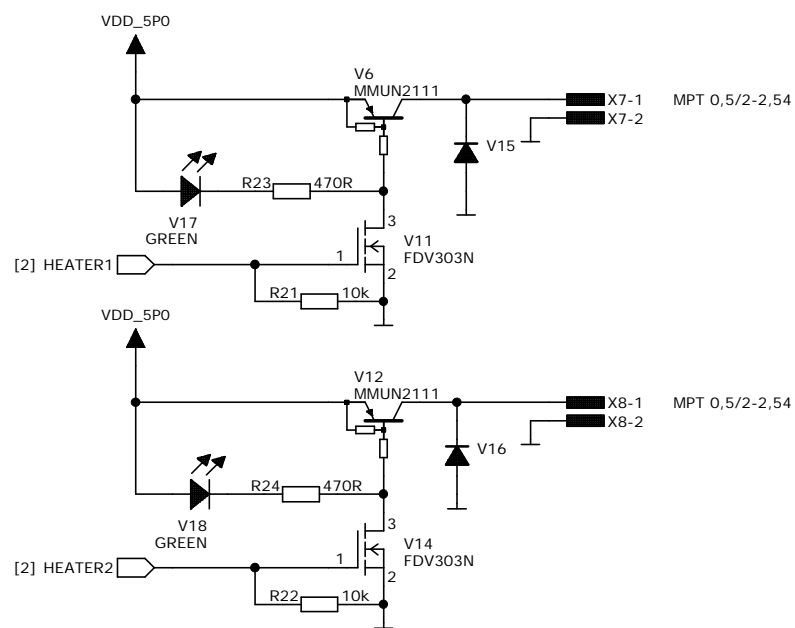
Buttons

JTA Design	Heater controller		
	CPU		
	Design date 2009-11-21	File name HeaterController-01.sch	Version 01 Sheet 2 OF 3

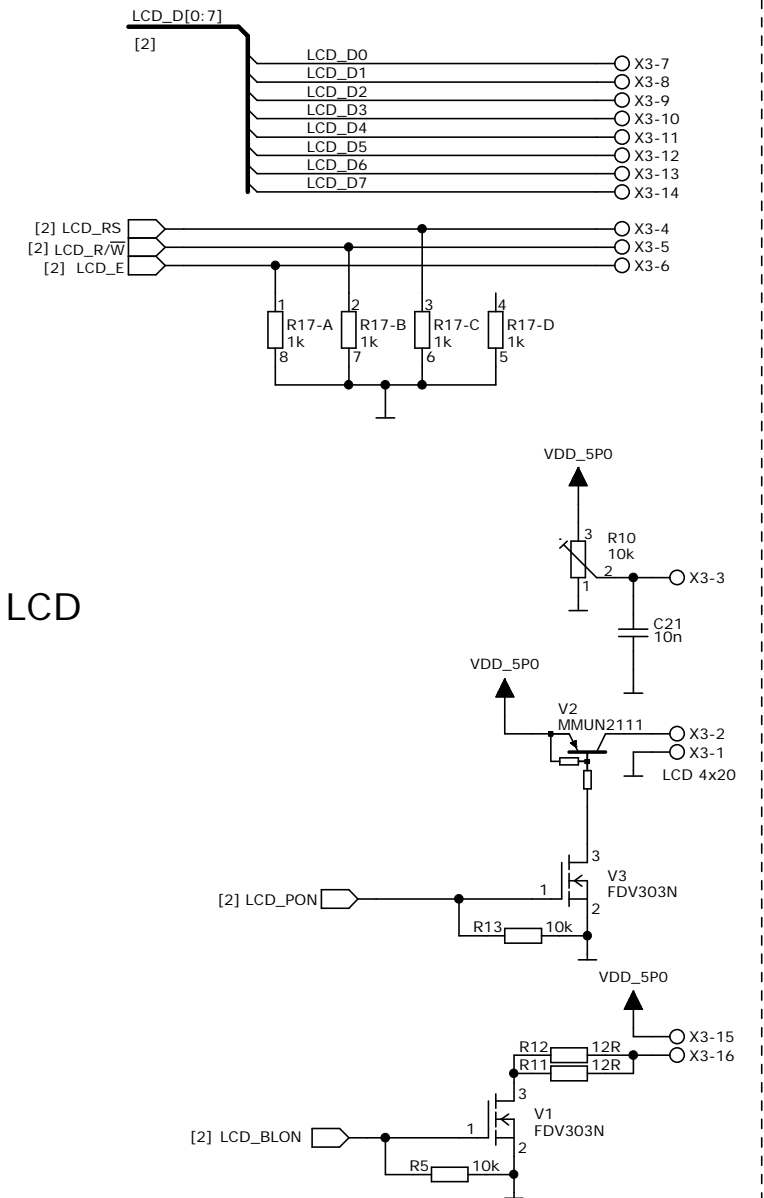
USB RS-232



Heater SSR output



LCD



JTA
Design

Heater controller
LCD & RS-232 USB

Design date
2009-11-21

File name
HeaterController-01.sch

Version 01
Sheet 3 OF 3