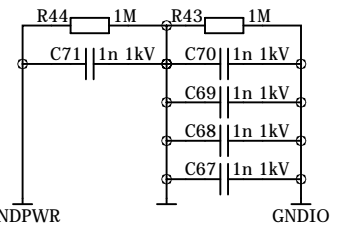
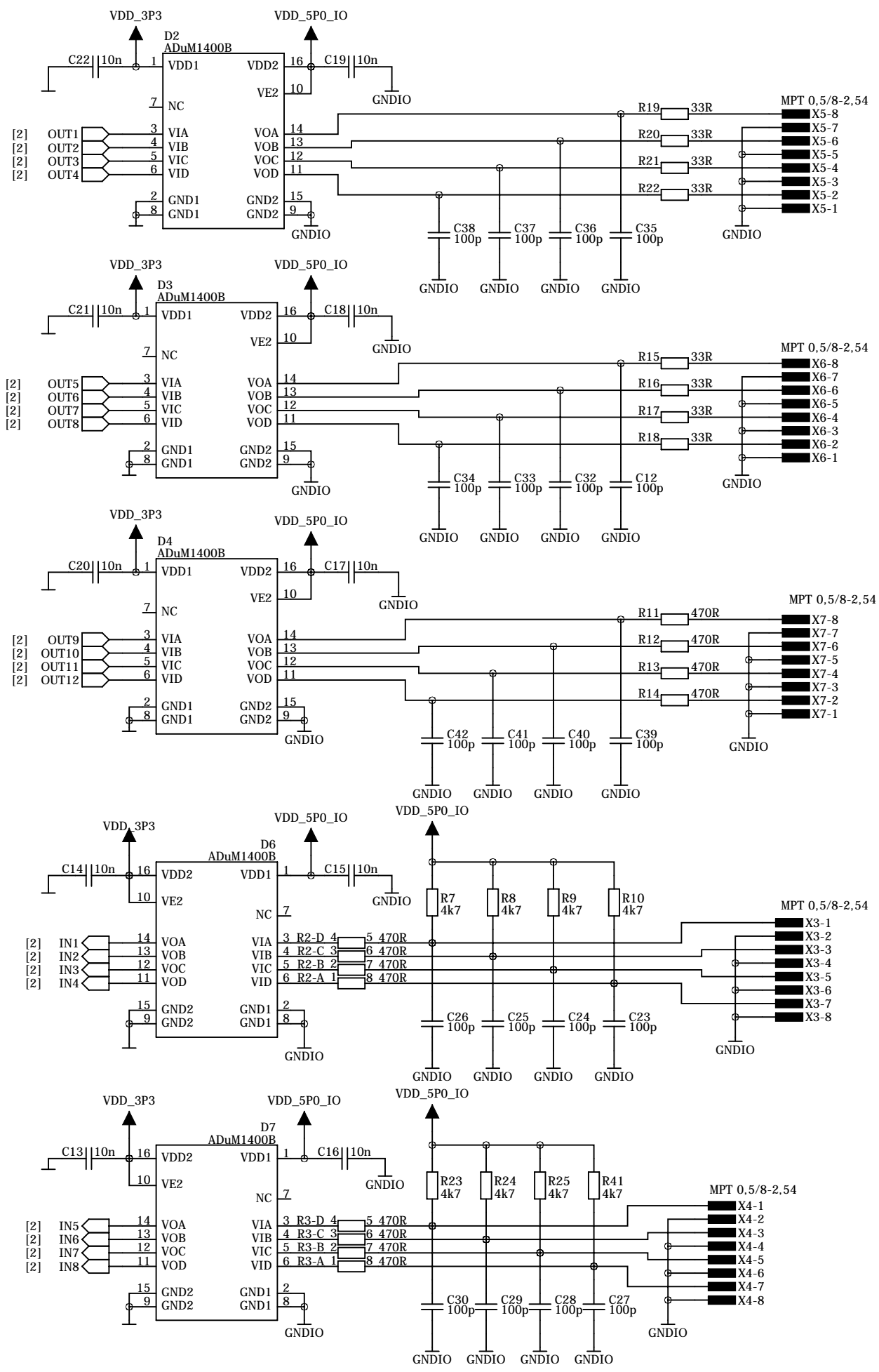
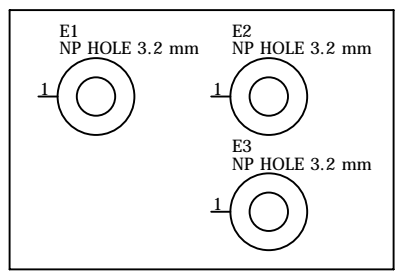
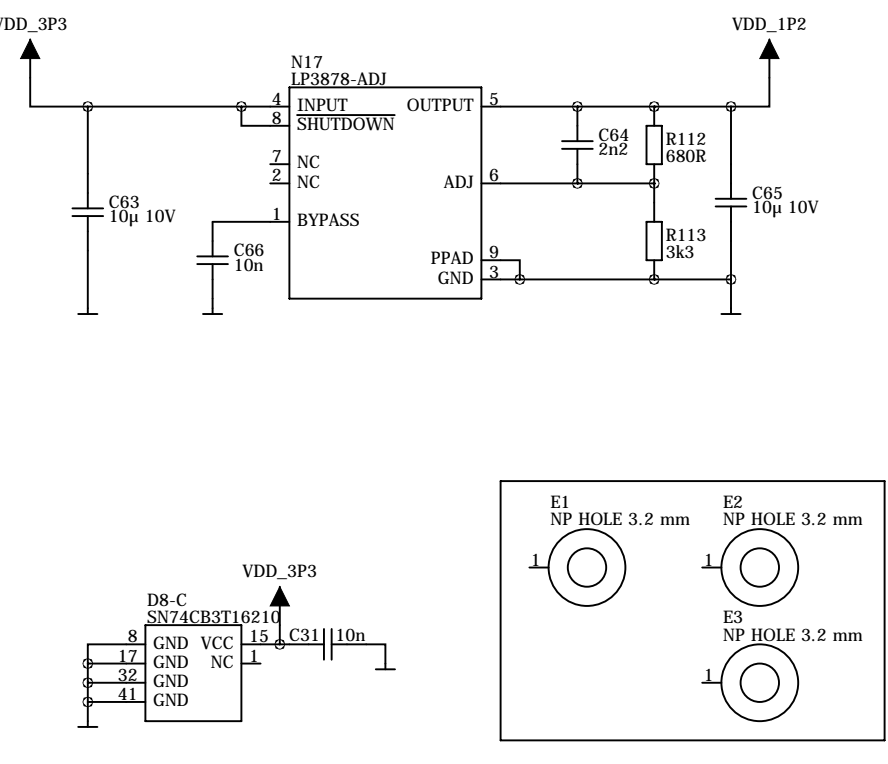
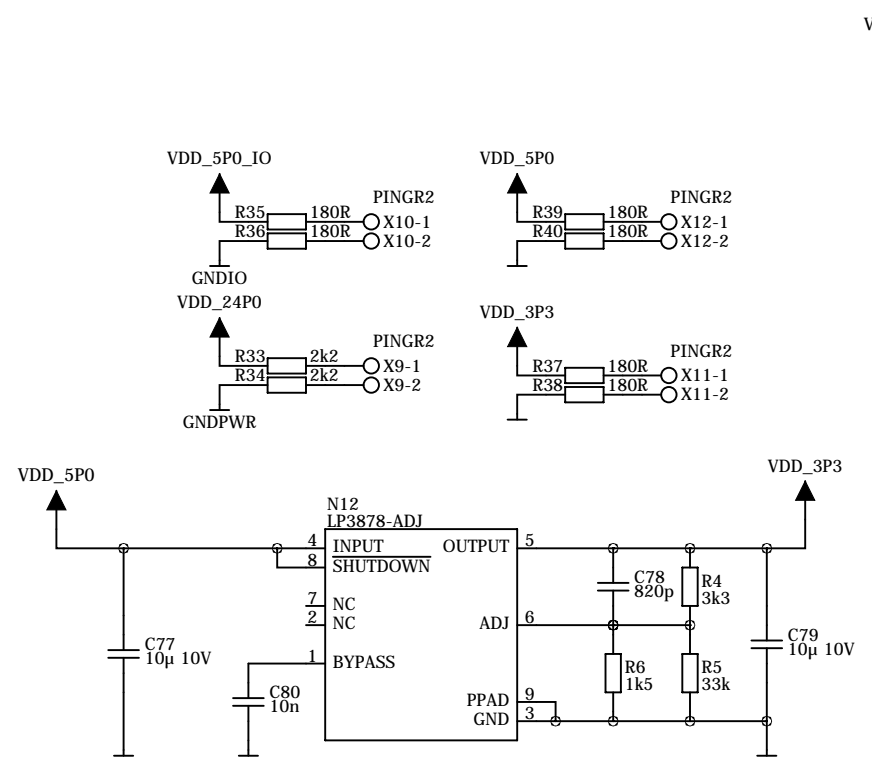
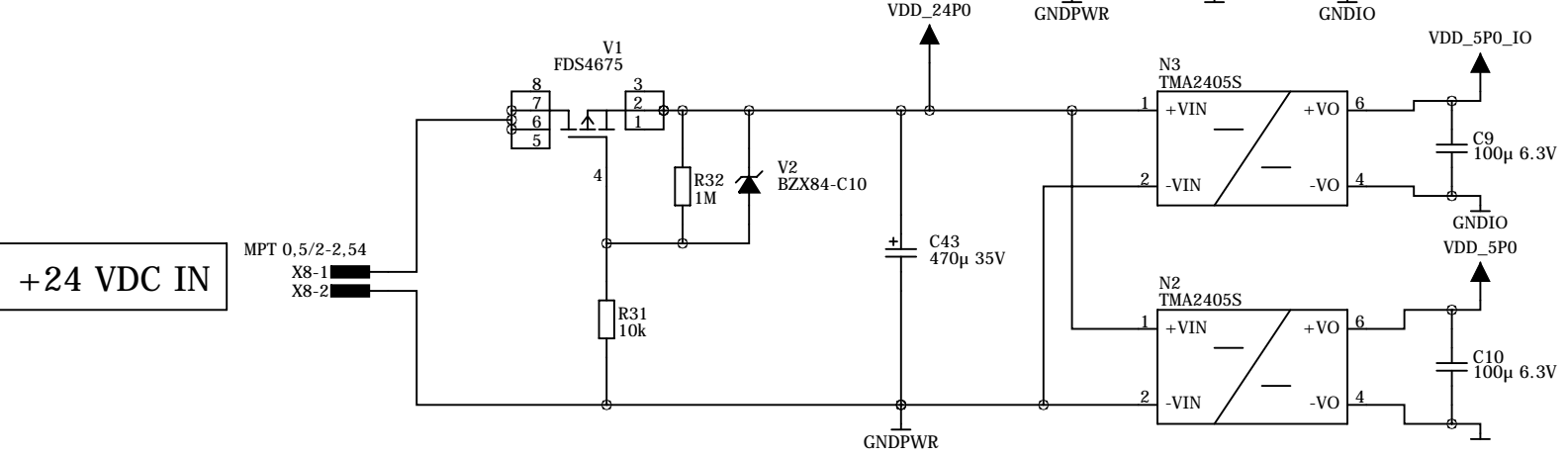


PC Parallel port



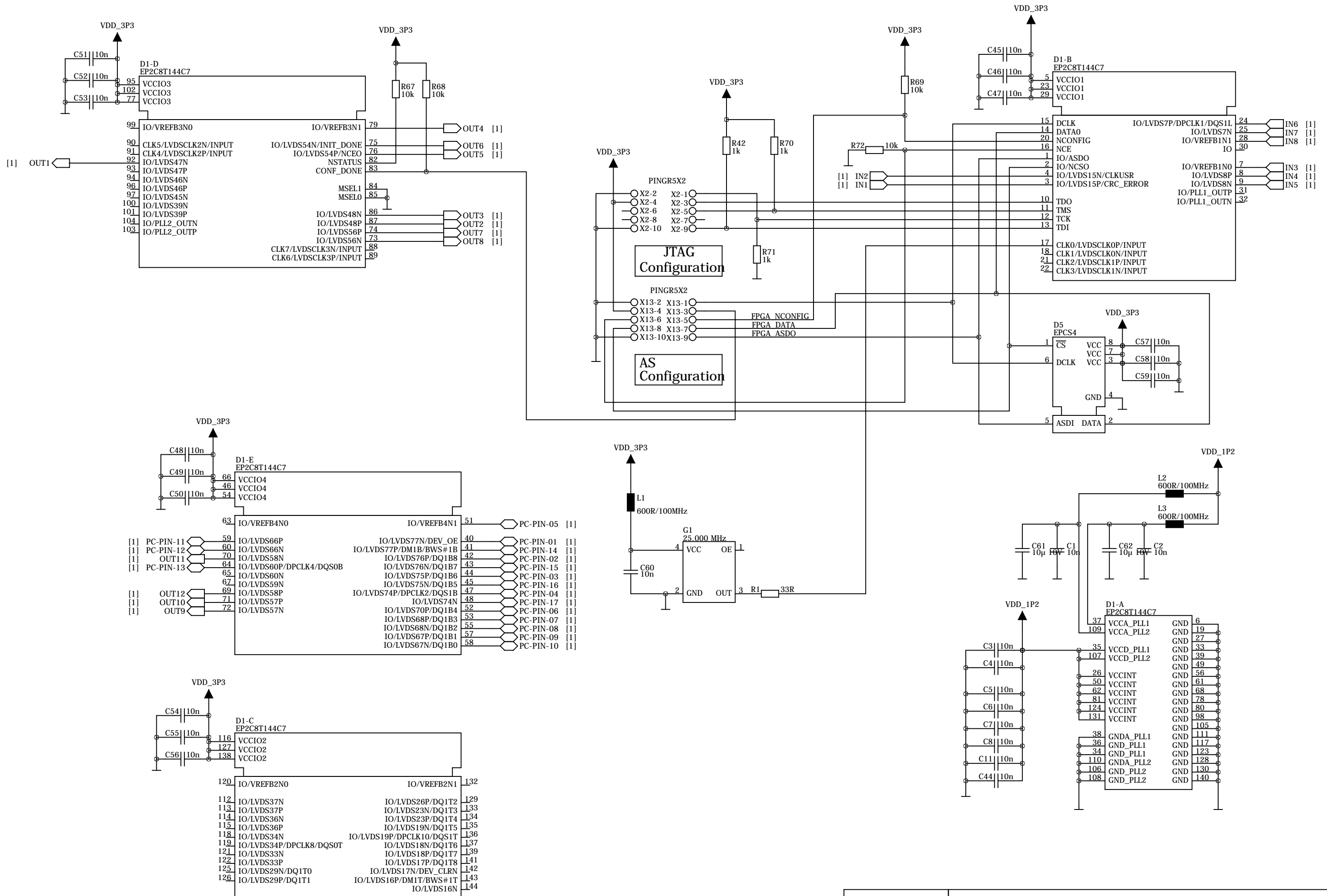
+24 VDC IN



JTA
Design

Break out board
IO & Isolation

Design date 2010-01-28	File name BreakoutBoard-01.sch	Version 01 Sheet 1 OF 2
---------------------------	-----------------------------------	----------------------------



JTA Design	Break out board FPGA		Version 01
	Design date 2010-01-28	File name BreakoutBoard-01.sch	Sheet 2 OF 2