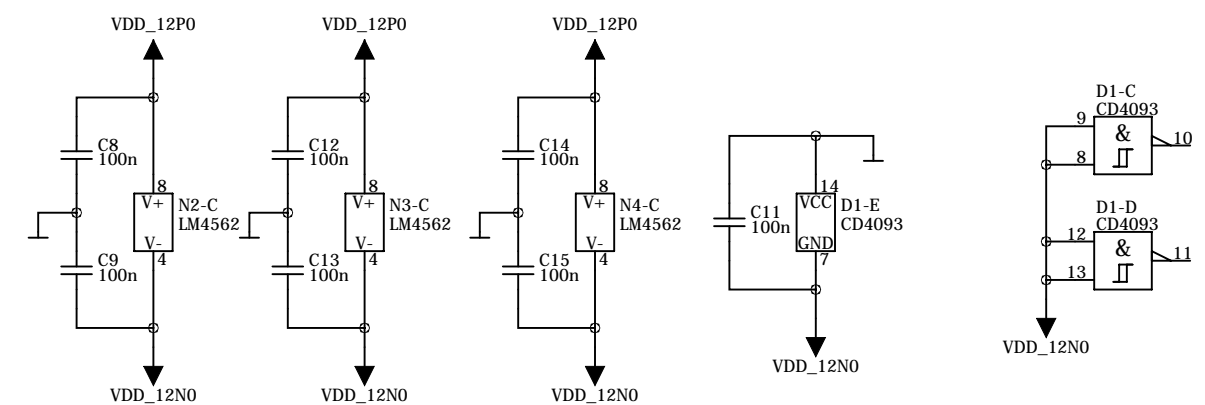
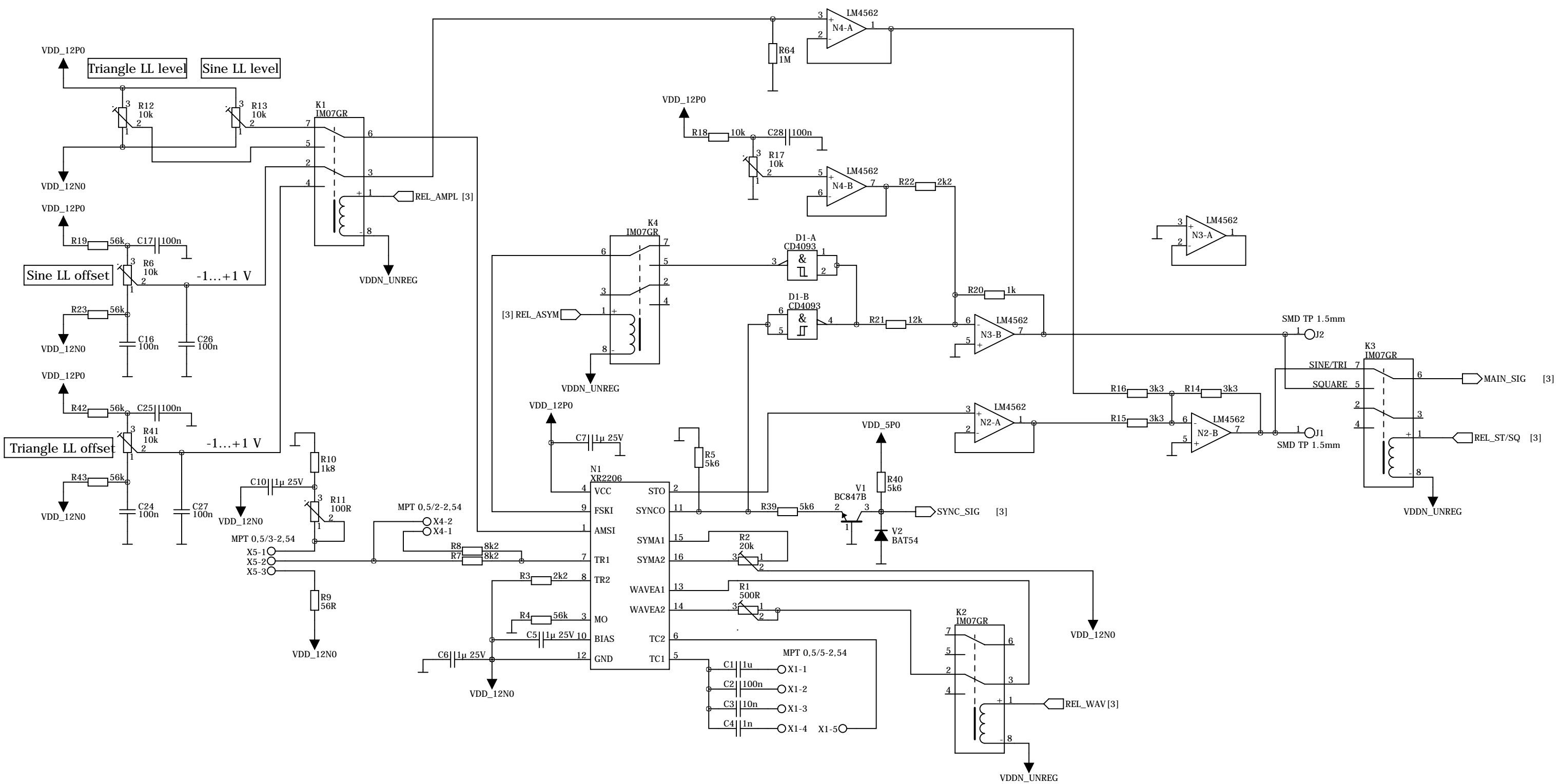
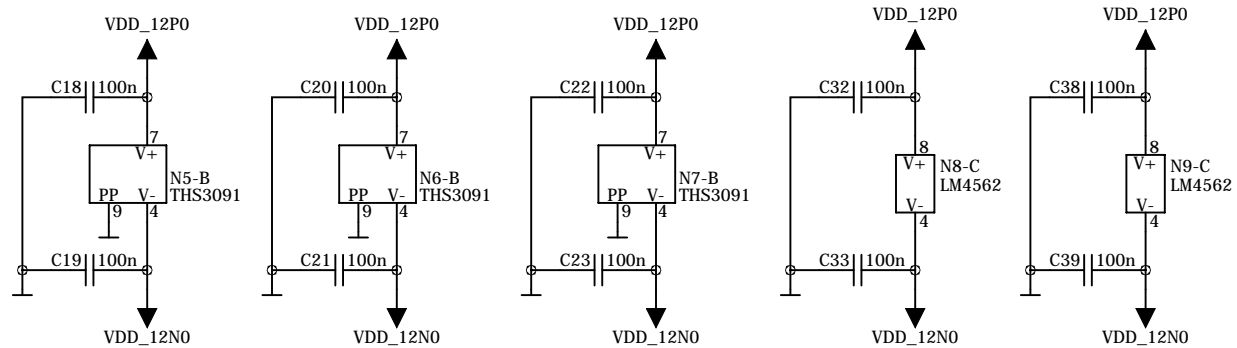
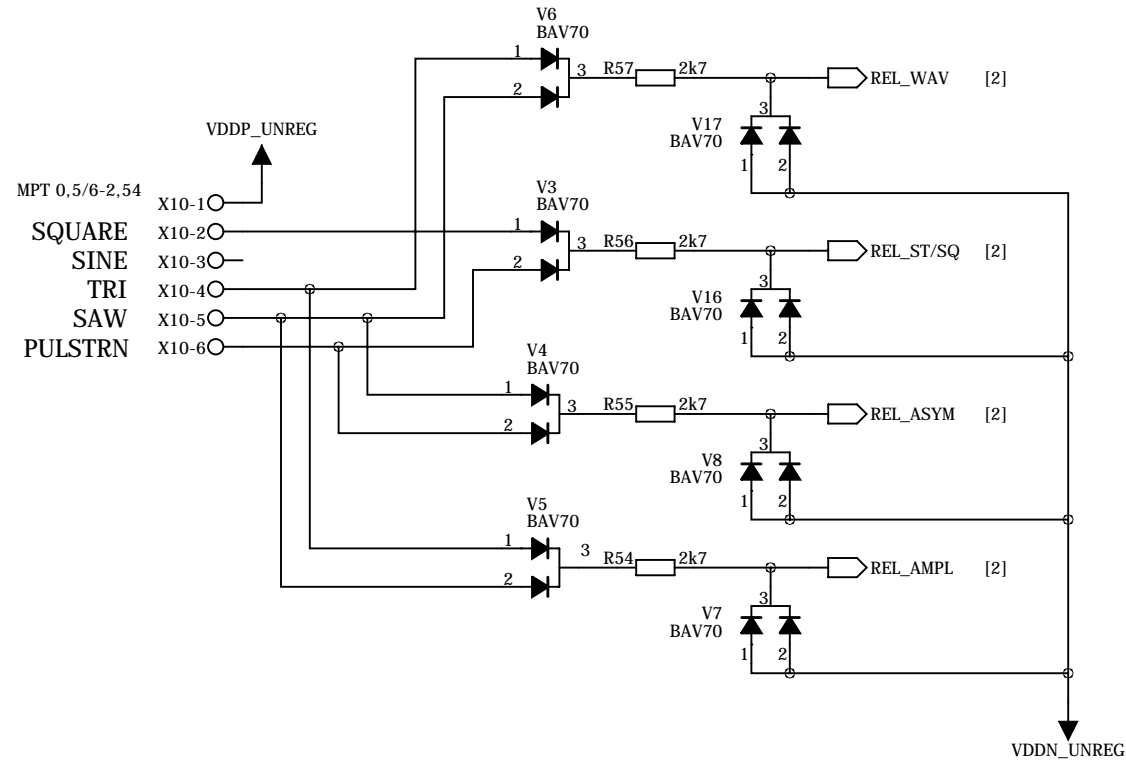
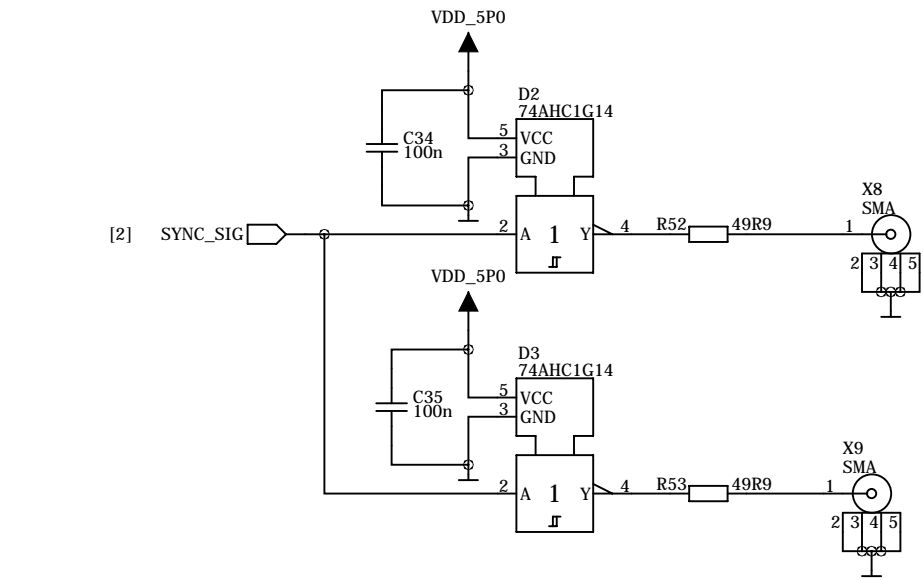
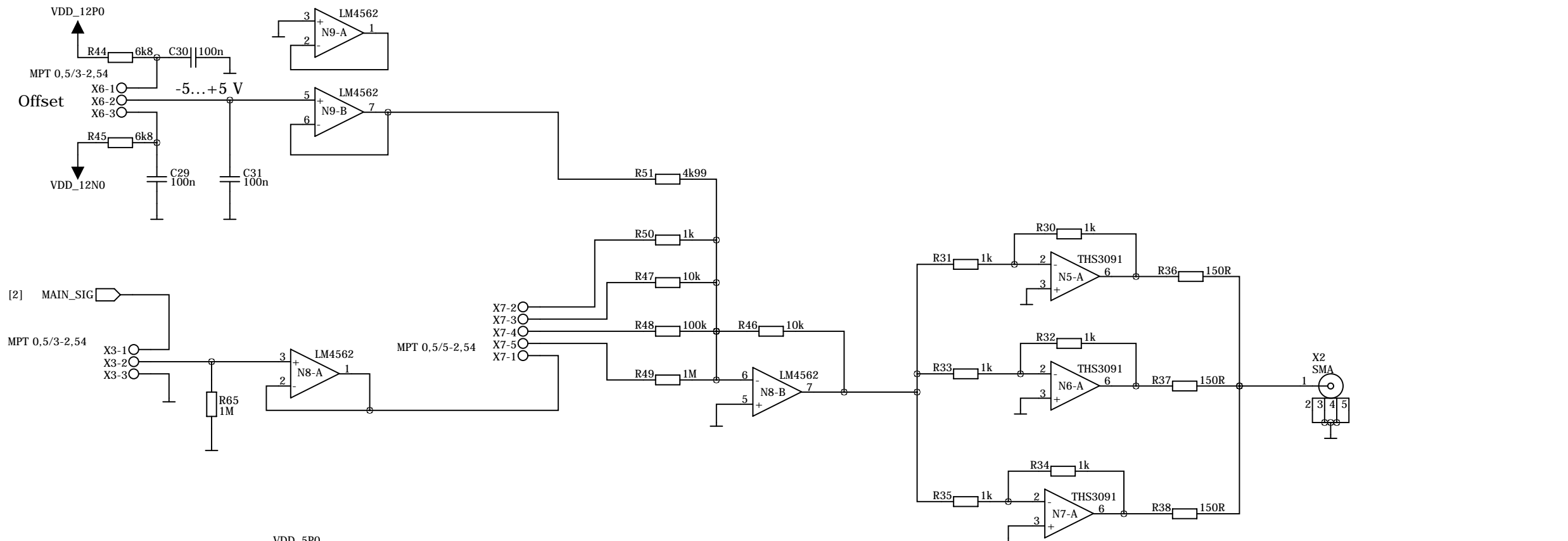


|                             |                                  |                         |
|-----------------------------|----------------------------------|-------------------------|
| <b>JTA</b><br><b>Design</b> | <b>Analog Function Generator</b> |                         |
|                             | Power                            |                         |
|                             | Design date<br>2011-02-25        | File name<br>AFG-01.sch |
|                             | Version 01                       |                         |
|                             | Sheet 1 OF 3                     |                         |





|                             |                                  |                         |
|-----------------------------|----------------------------------|-------------------------|
| <b>JTA</b><br><b>Design</b> | <b>Analog Function Generator</b> |                         |
|                             | Output                           |                         |
|                             | Design date<br>2011-02-25        | File name<br>AFG-01.sch |
|                             | Version 01                       | Sheet 3 OF 3            |