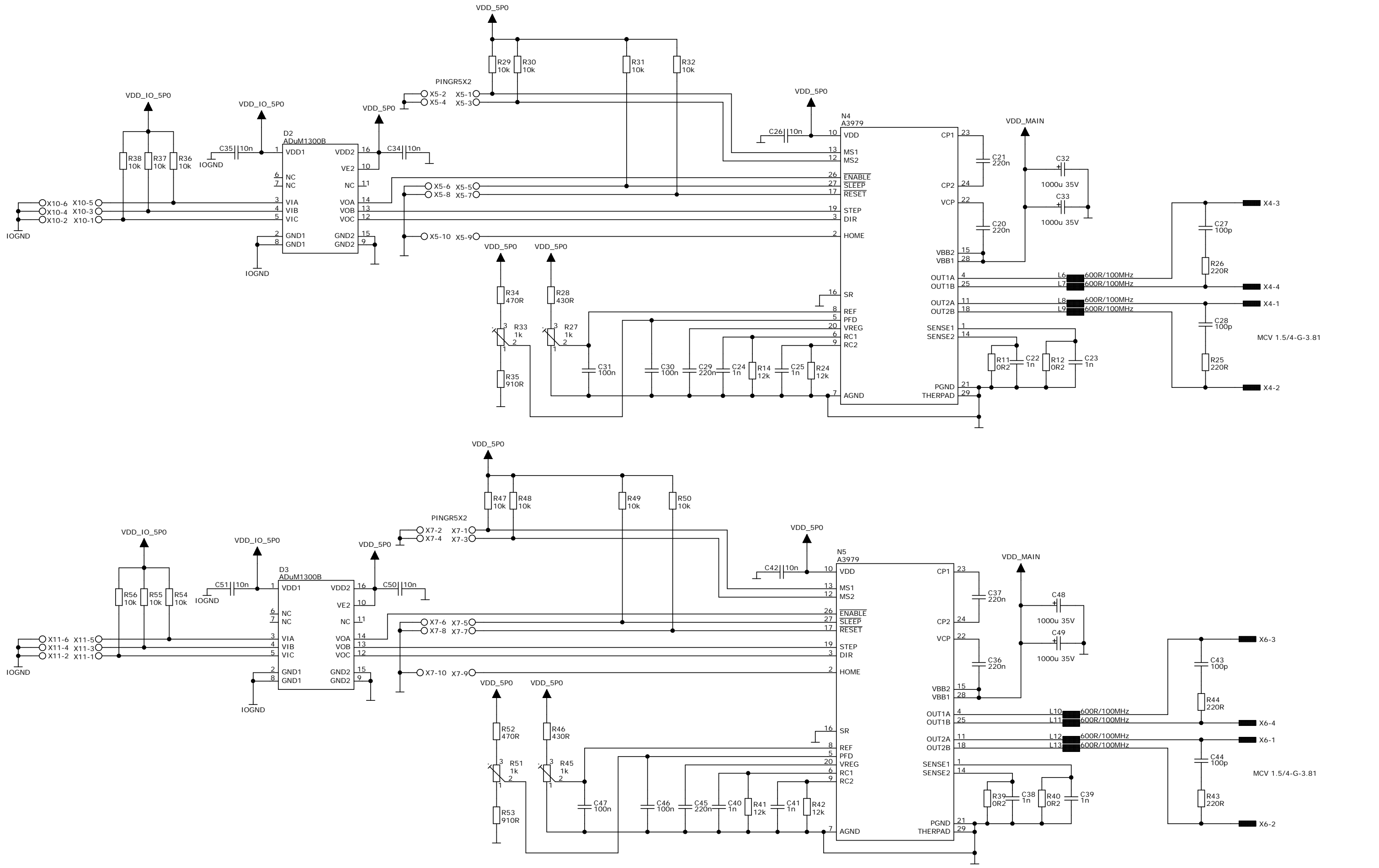


JTA Design	A3979 Eval Board Power & Motor channel 1	
	Design date 2007-07-21	File name A3979Eval.sch
		Version 0.01 Sheet 1 OF 2



JTA
Design

A3979 Eval Board

Motor channels 2-3

Design date	File name	Version
2007-07-21	A3979Eval.sch	0.01
Sheet		2 OF 2