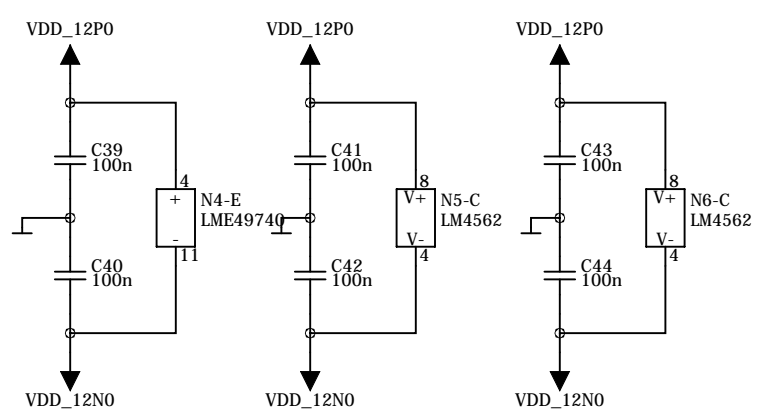
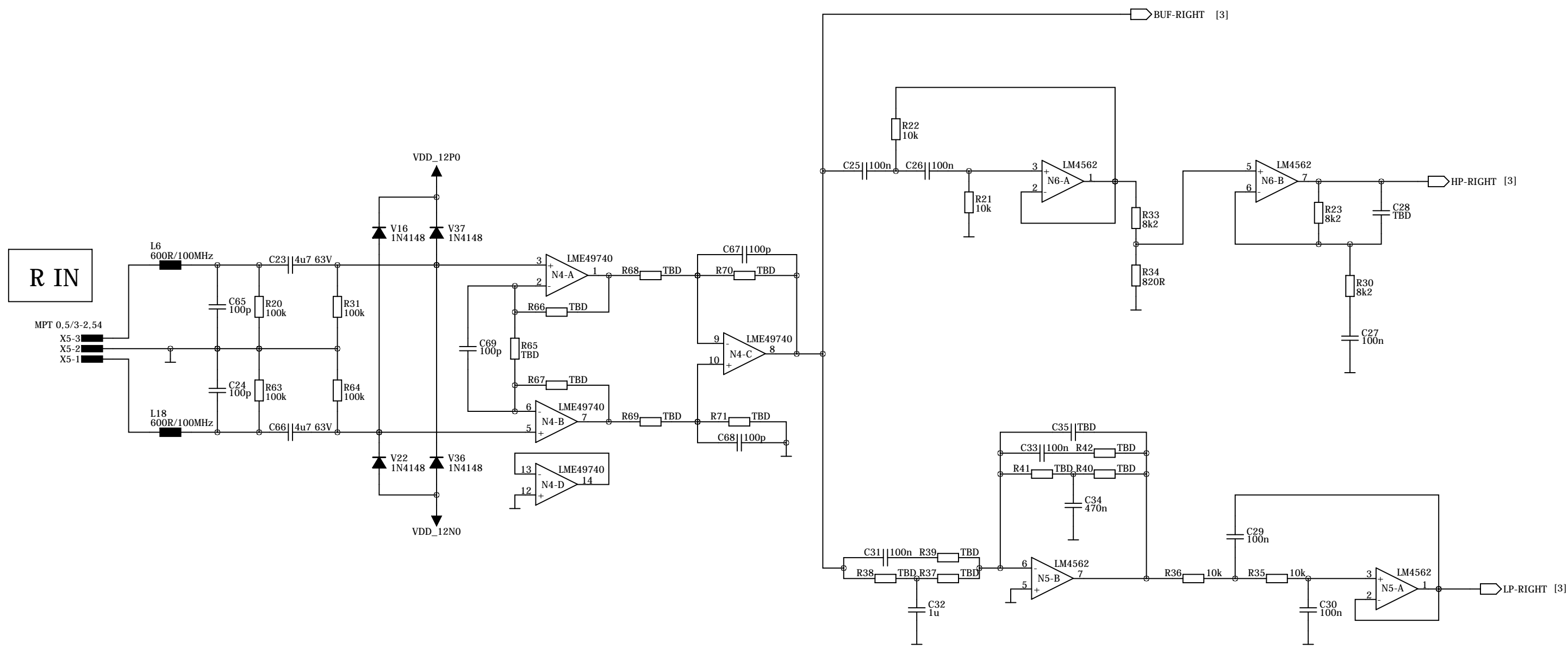
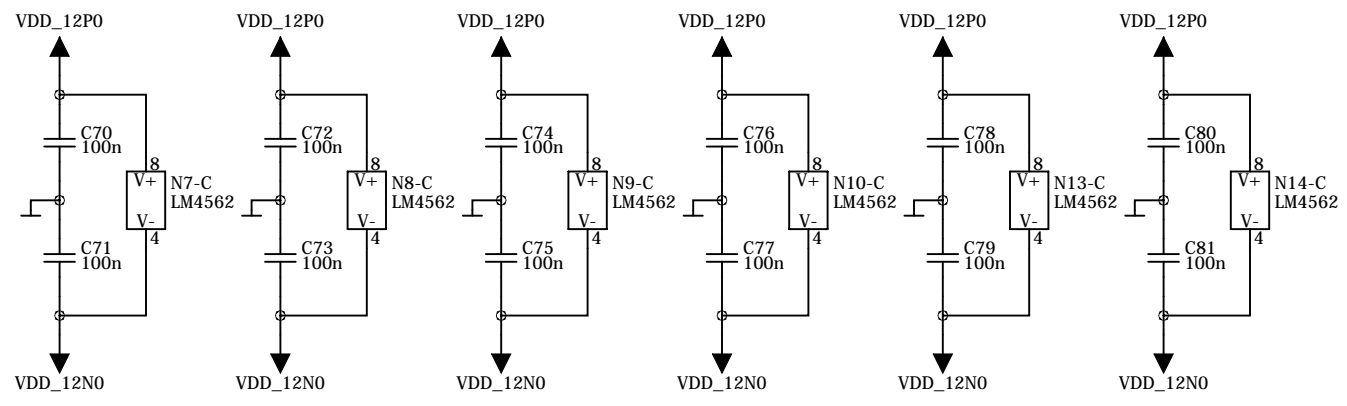
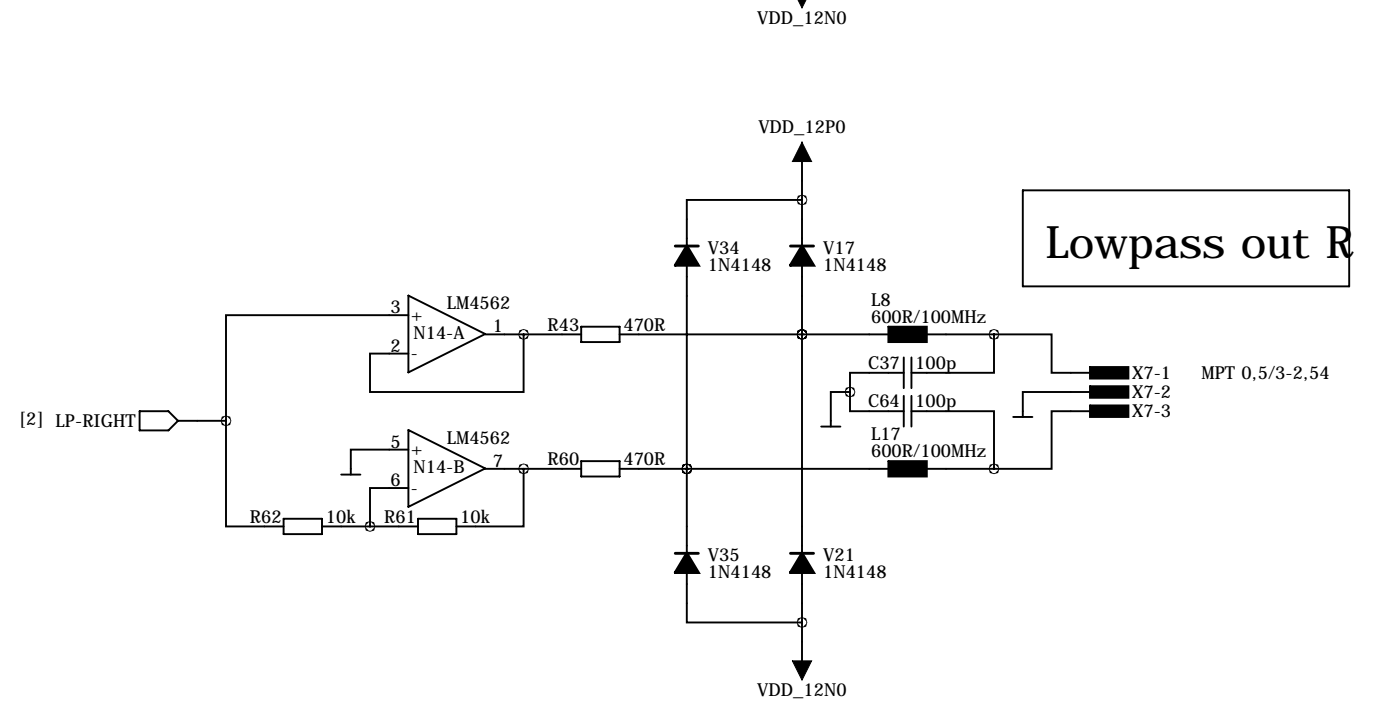
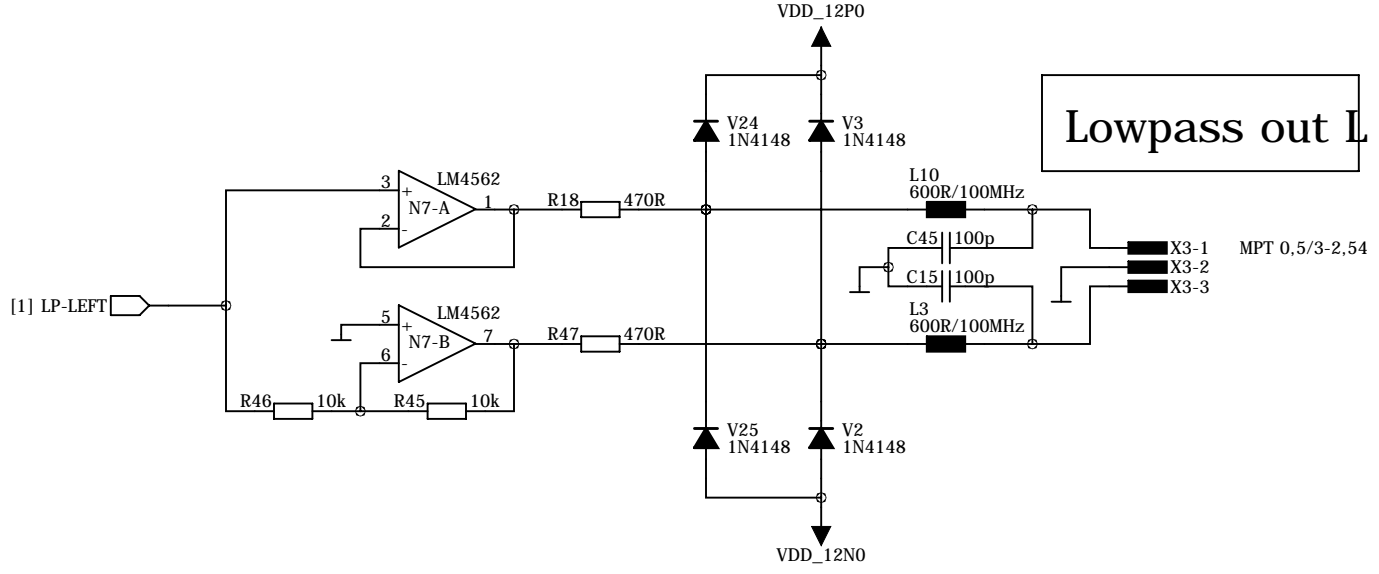
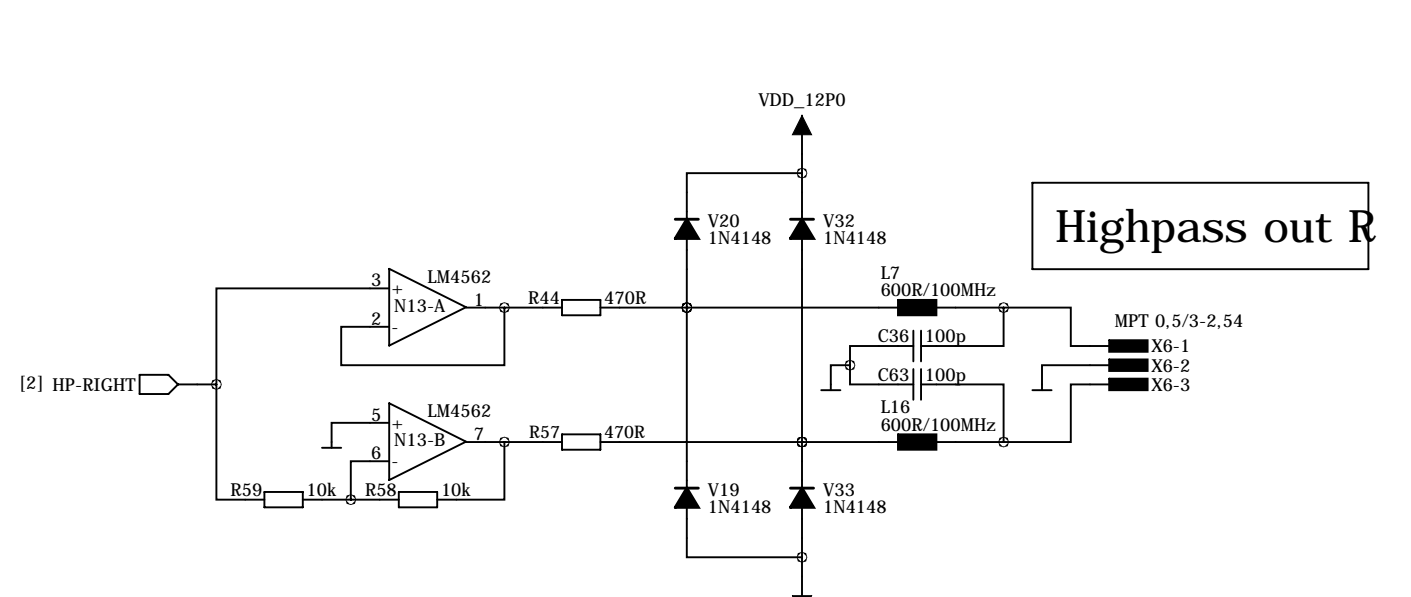
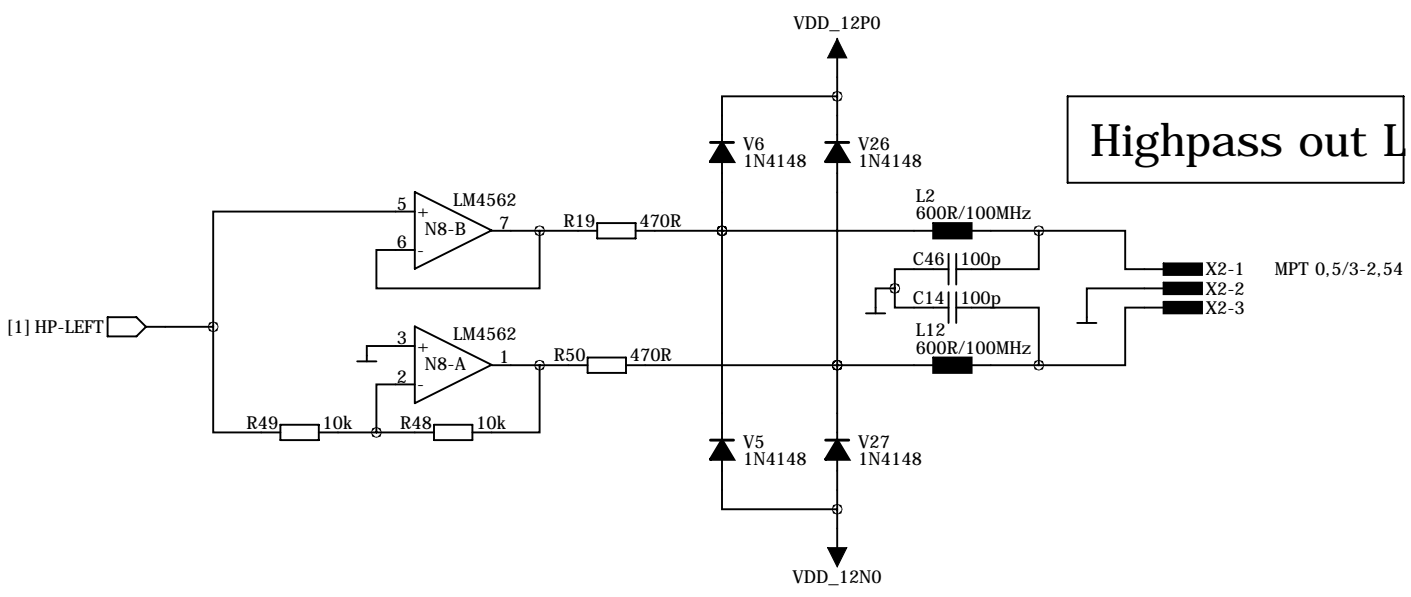
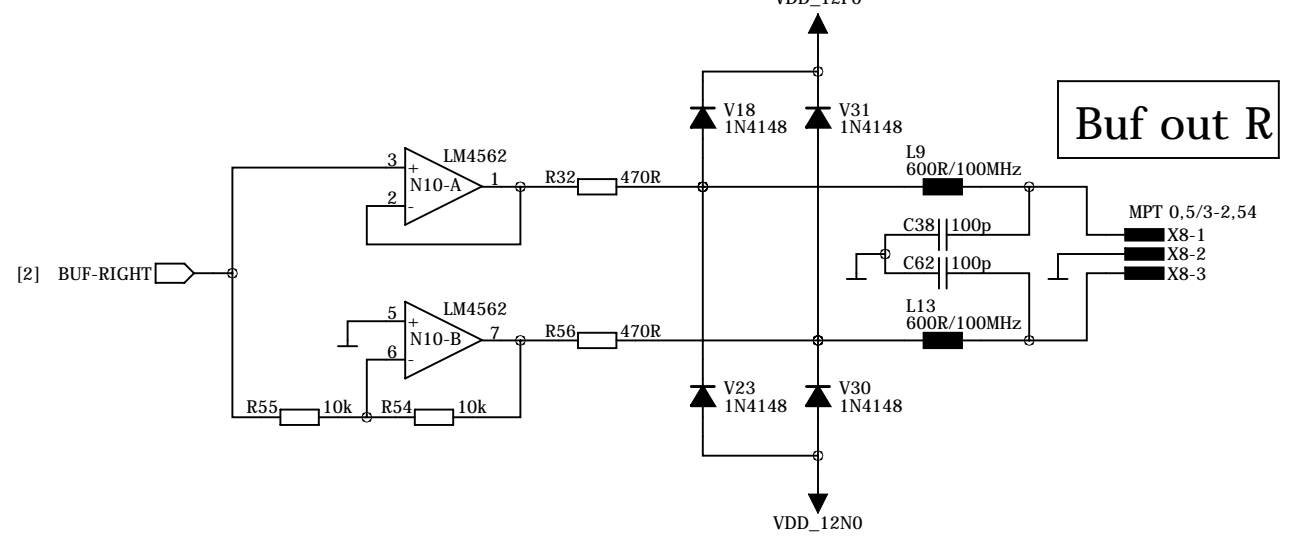
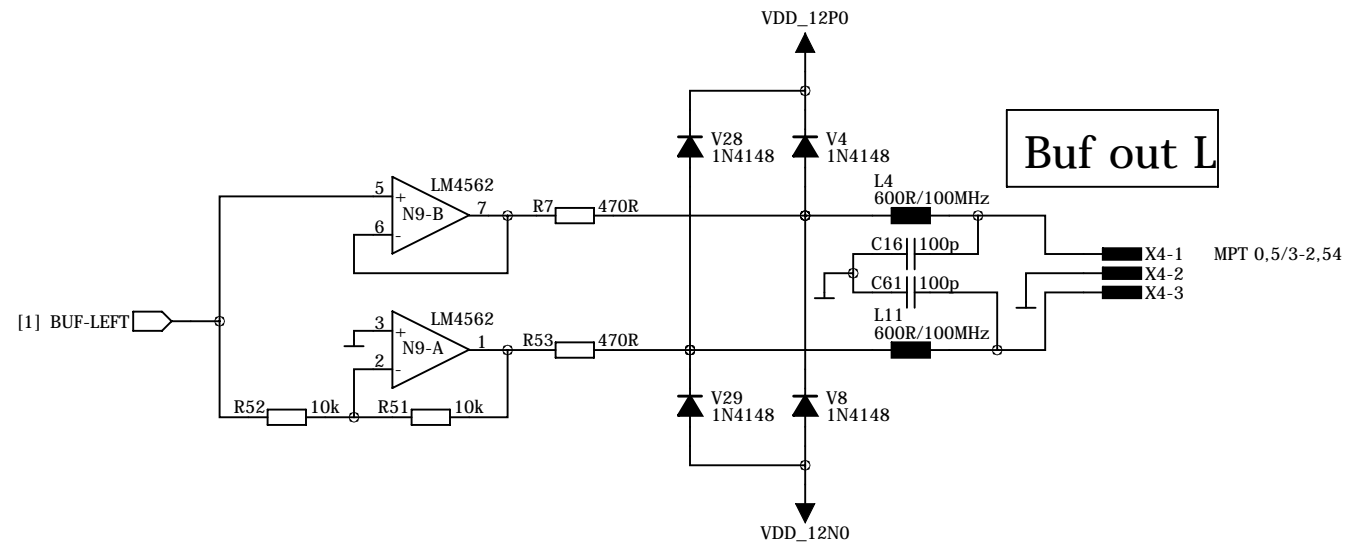


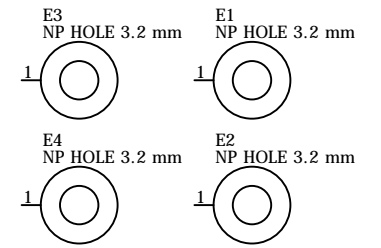
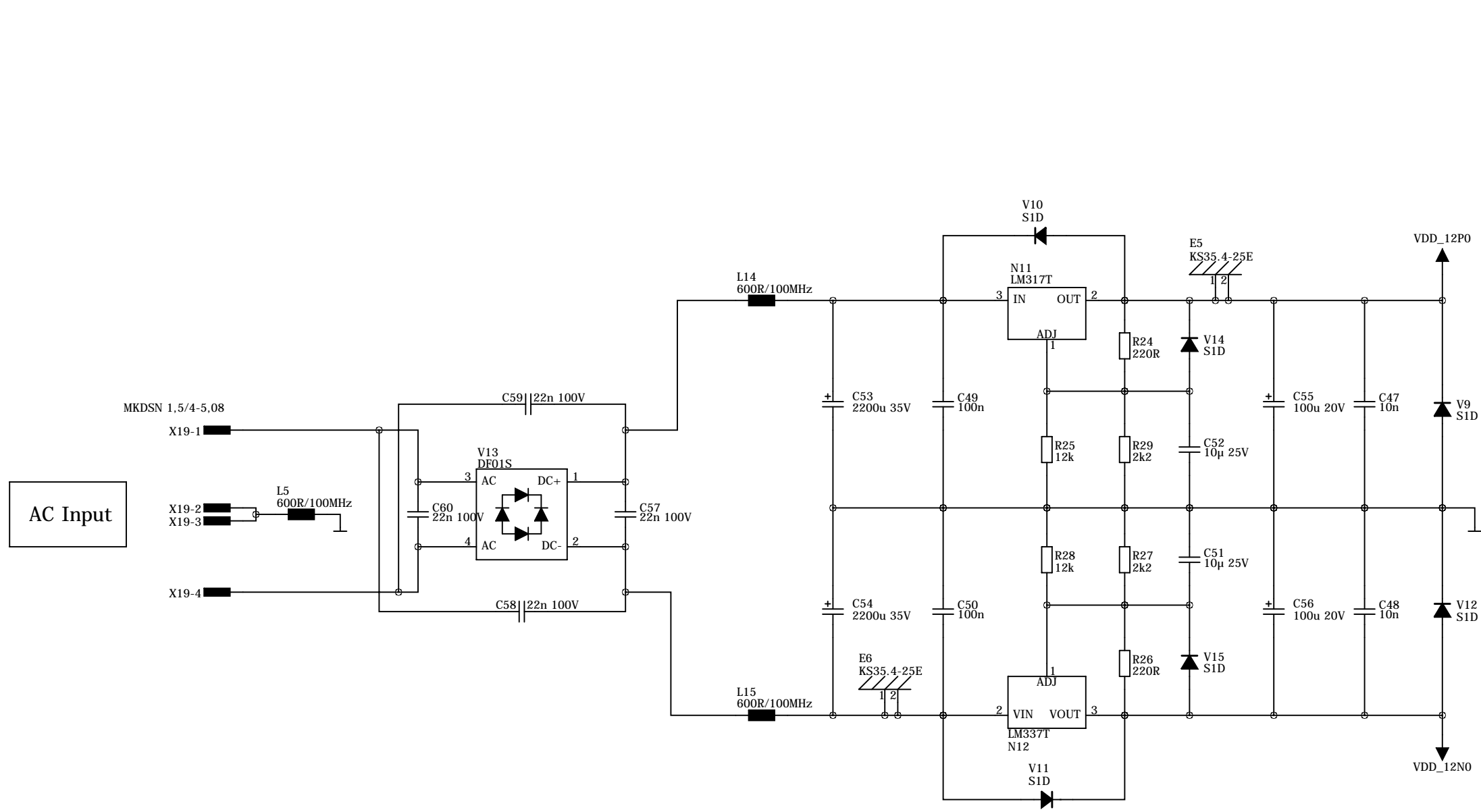
JTA Design	Metrik crossover Left channel	
	Design date 2012-11-05	File name Metrik crossover 01.sch
		Version 01 Sheet 1 OF 4



JTA Design	Metrik crossover Right Channel		Version 01
	Design date 2012-11-05	File name Metrik crossover 01.sch	Sheet 2 OF 4



JTA Design	Metrik crossover	
	Outputs	
	Design date 2012-11-05	File name Metrik crossover 01.sch
	Version 01	Sheet 3 OF 4



JTA Design	Metrik crossover Power supply		
	Design date	File name	Version
	2012-11-05	Metrik crossover 01.sch	01
		Sheet	4 OF 4