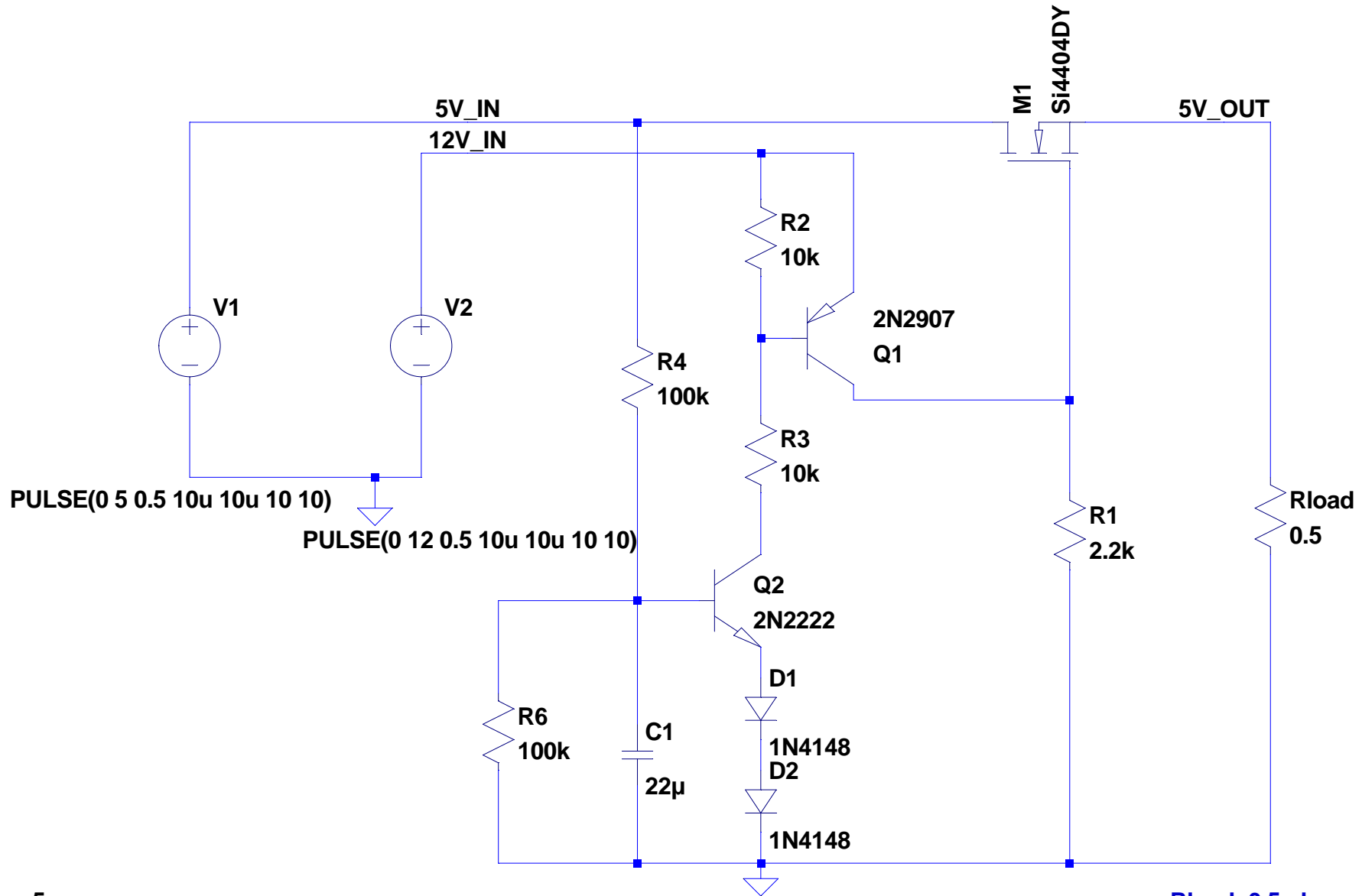


M1 => IRL2203 (7 mohm, 30V)



.tran 5

Rload=0.5 ohm => Kuormavirta ~10A

