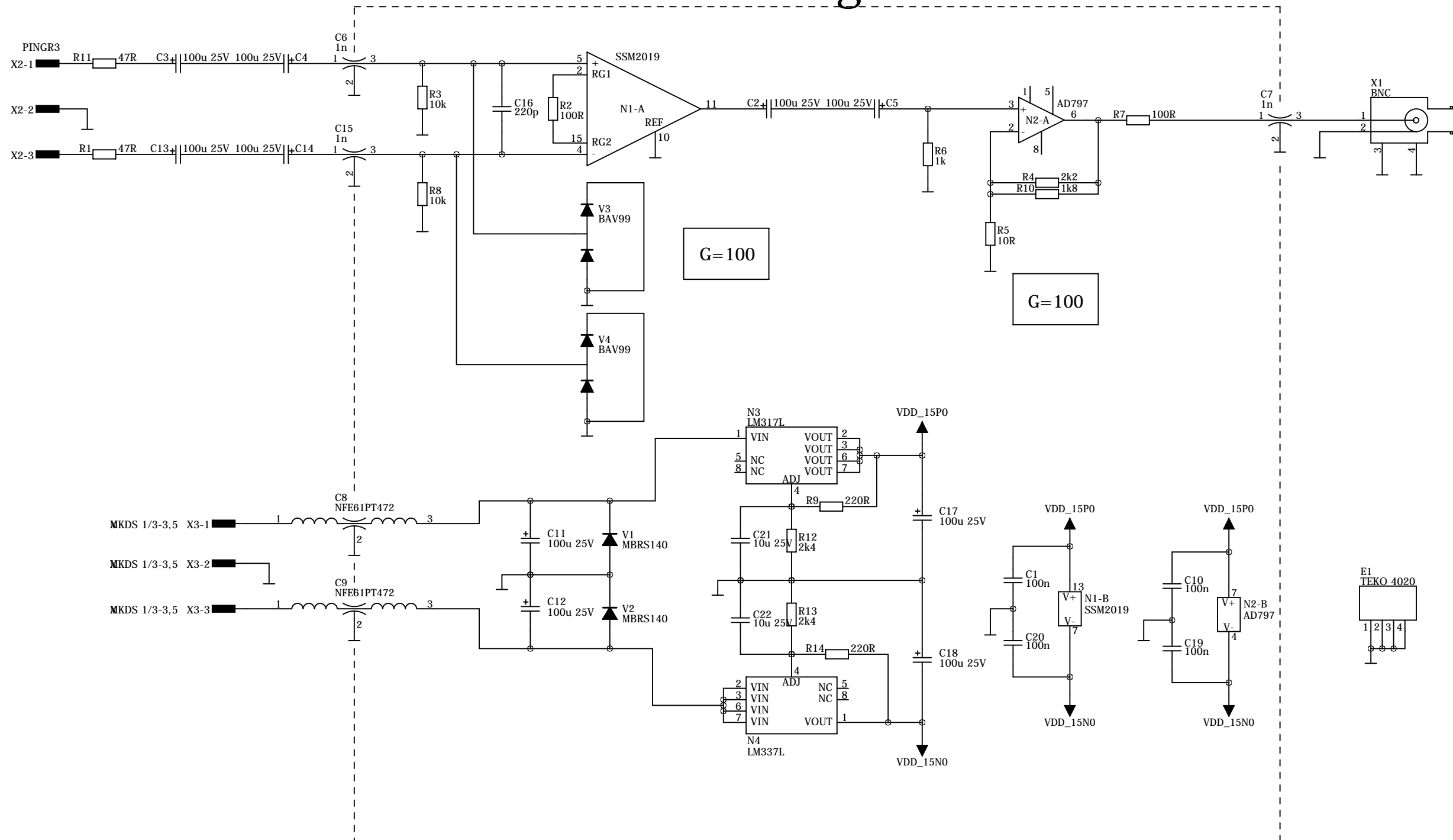


RF-shielding barrier



JTA
Design

80 dB Noise Preamp
Sheet Description

Design date
2007-07-27

File name
NoisePreamp.sch

Version 0.01

Sheet 1 OF 1