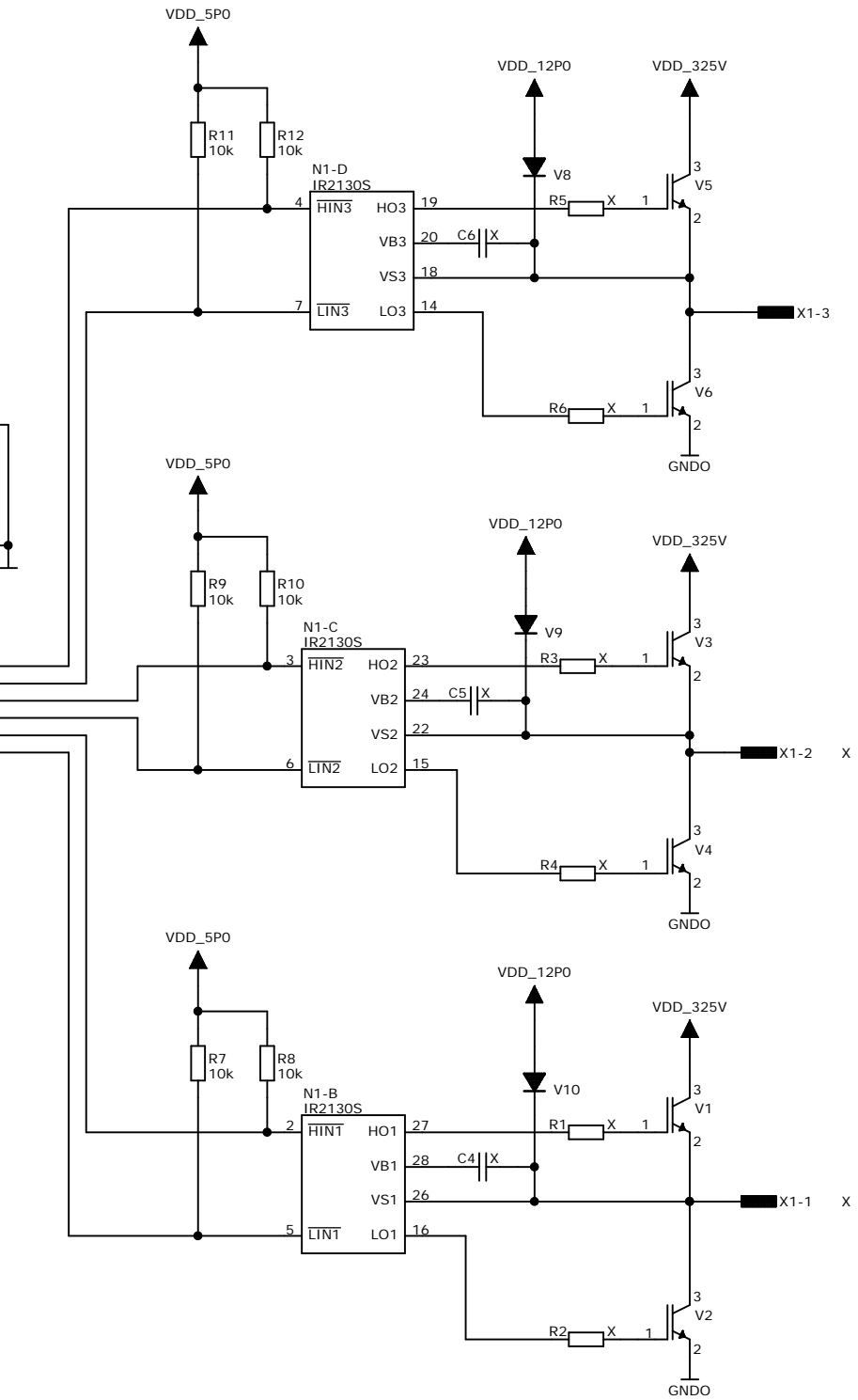
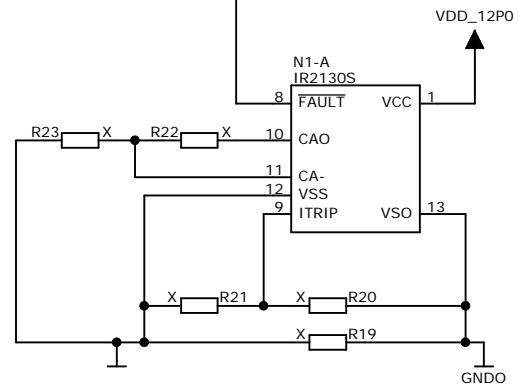
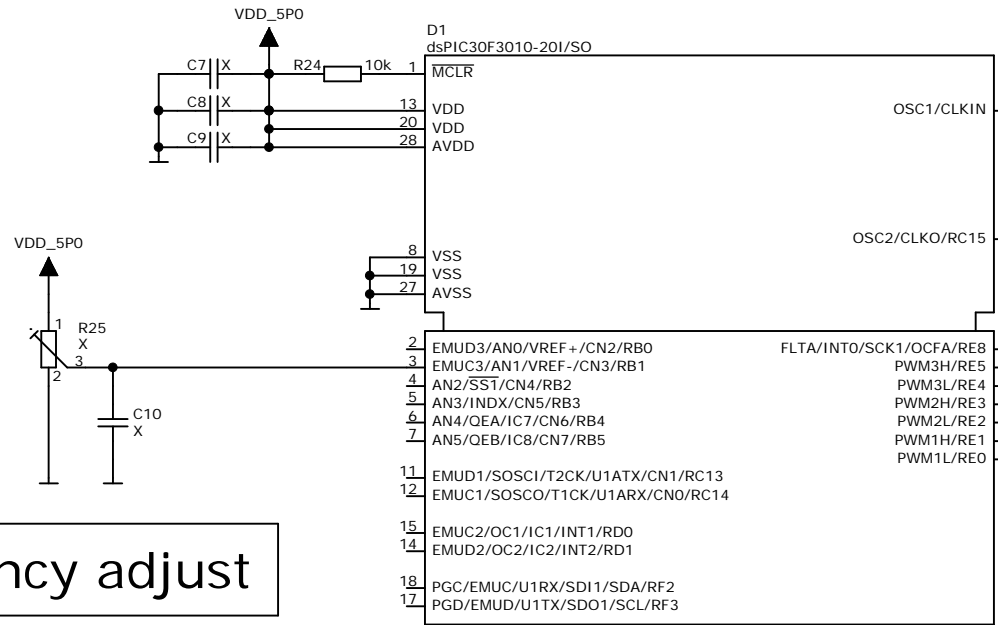
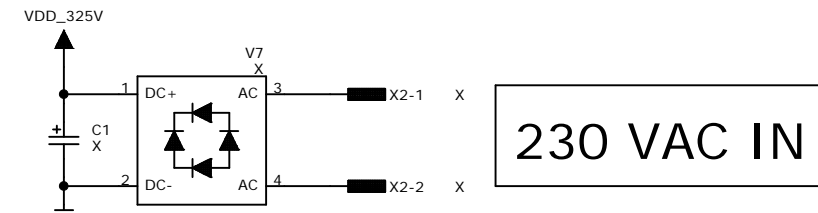


Frequency adjust



Motor Out



230 VAC IN

JTA Design	Frequency Converter Sheet Description		
	Design date	File name	Version 01
	2010-01-31	FreqConverter.sch	Sheet 1 OF 1