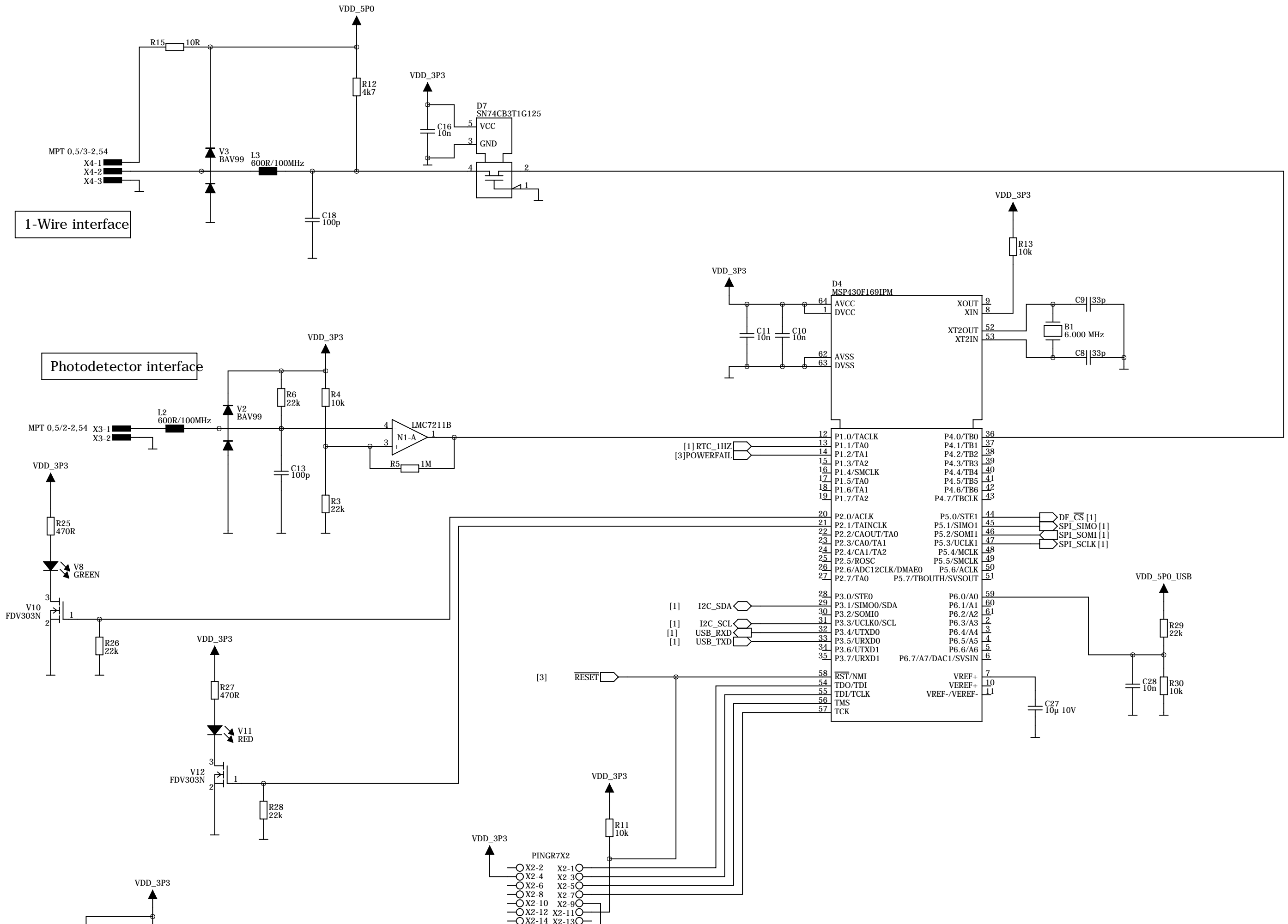


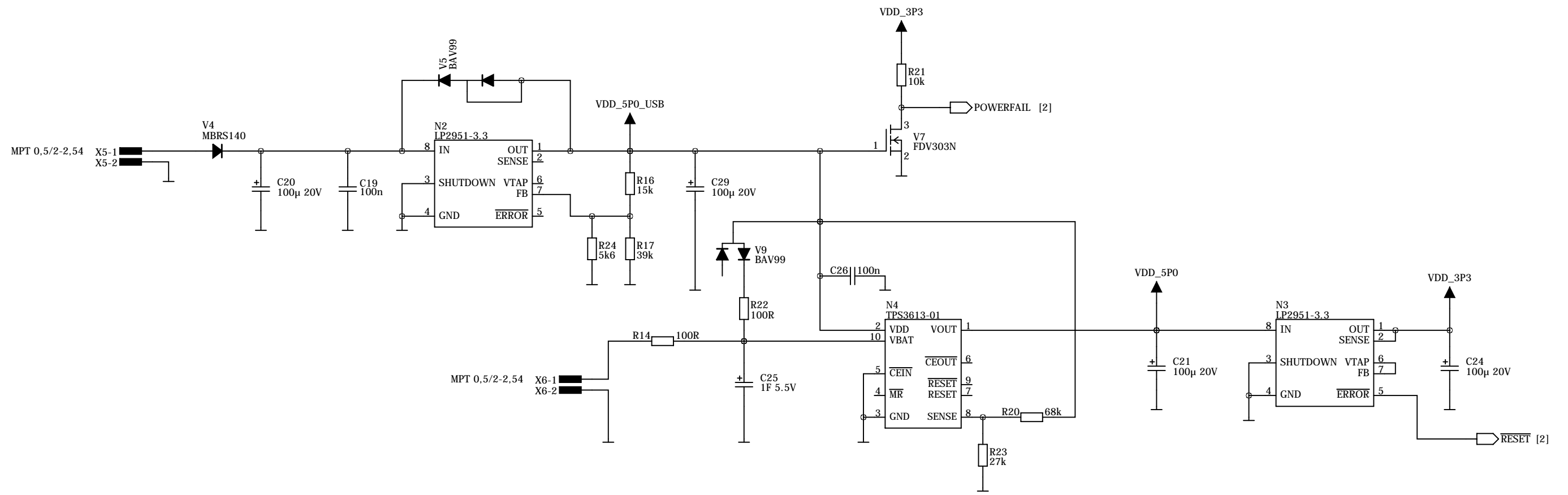
JTA Design	Energy logger USB-IF/Dataflash/RTC		Version 02
	Design date	File name	Sheet 1 OF 3
	<Release Date>EnergyLogger-02.sch		



1-Wire interface

Photodetector interface

JTA Design	Energy logger MCU	
	Design date	File name
	<Release Date>EnergyLogger-02.sch	
Version 02		Sheet 2 OF 3



Kotelo: Elfa 50-532-10 / Hammond 1455B802BK

JTA Design	Energy logger Power	
	Design date	File name
	<Release Date>	<File name>
		Version 02
		Sheet 3 OF 3