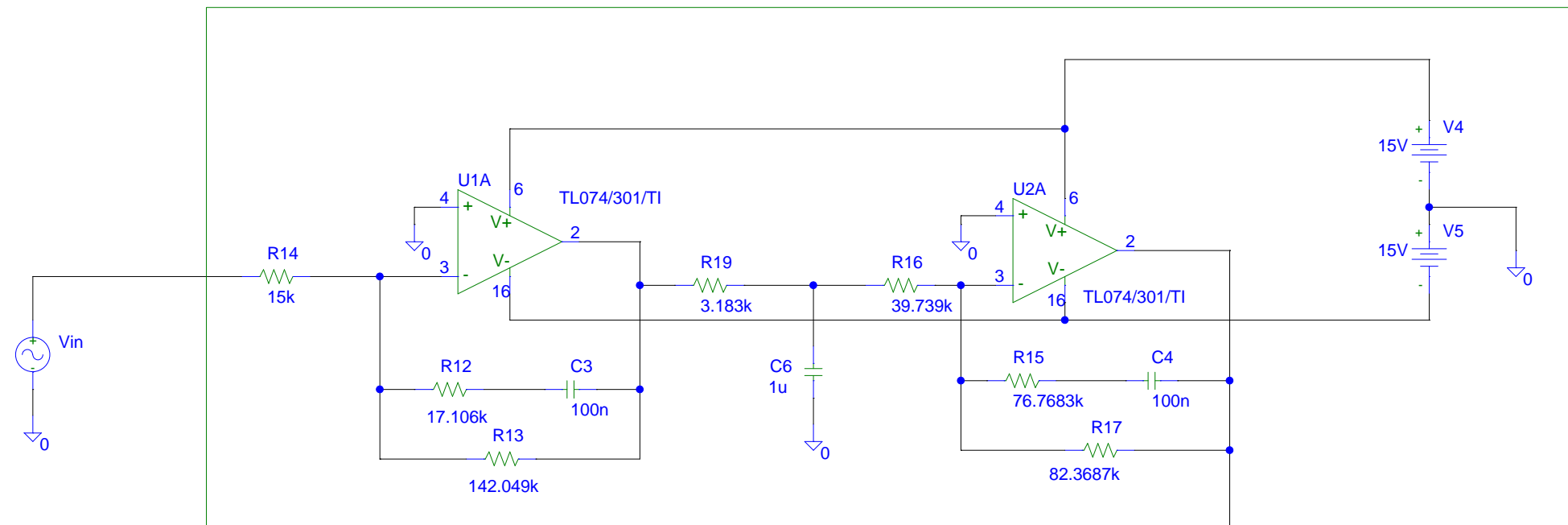


Equalize



Mechanical properties of the driver:
 Mms=135.3g
 Cms=520 um/N
 Rms=6.13471 kg/s

Motor force factor
 BI=17.5 Tm

Enclosure: 27 Litres, Ql=10, Qa=100

