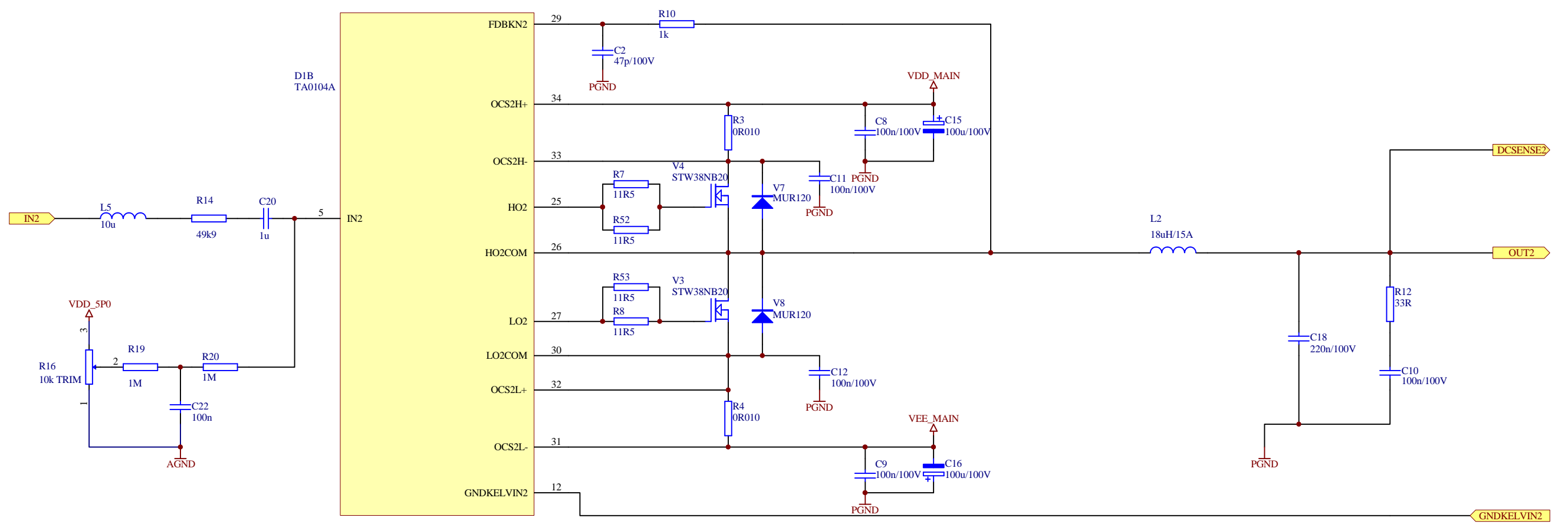
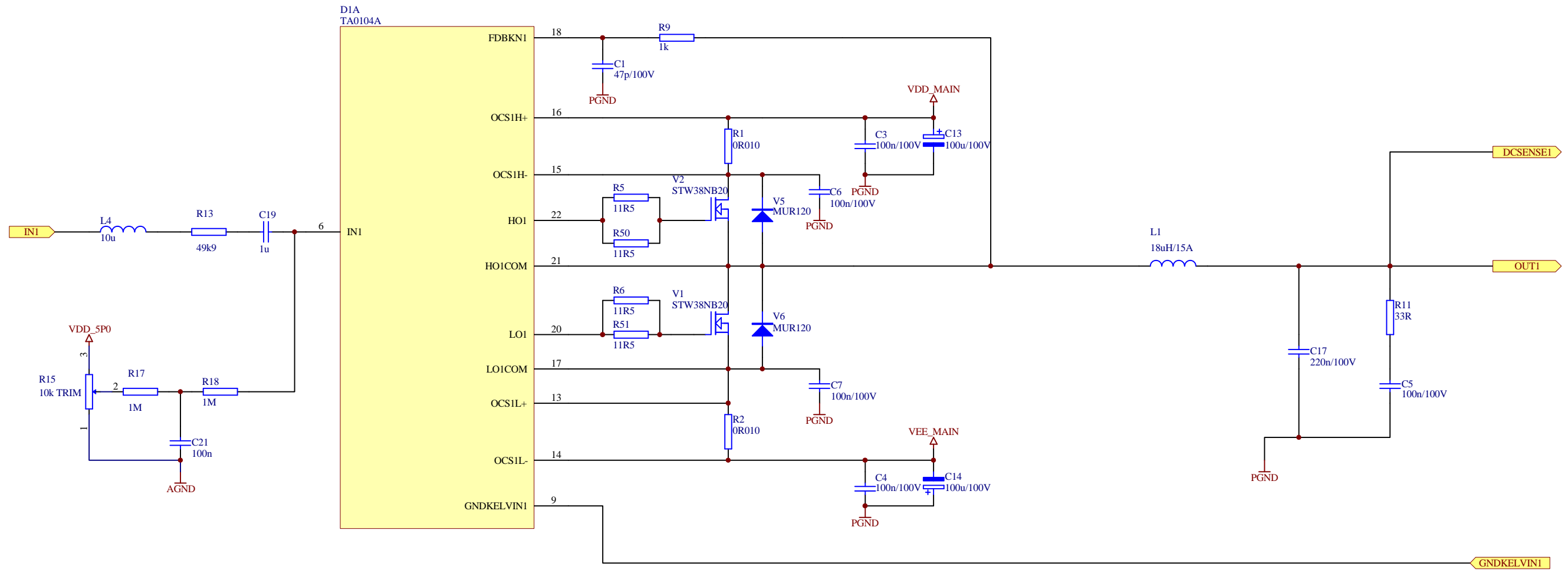
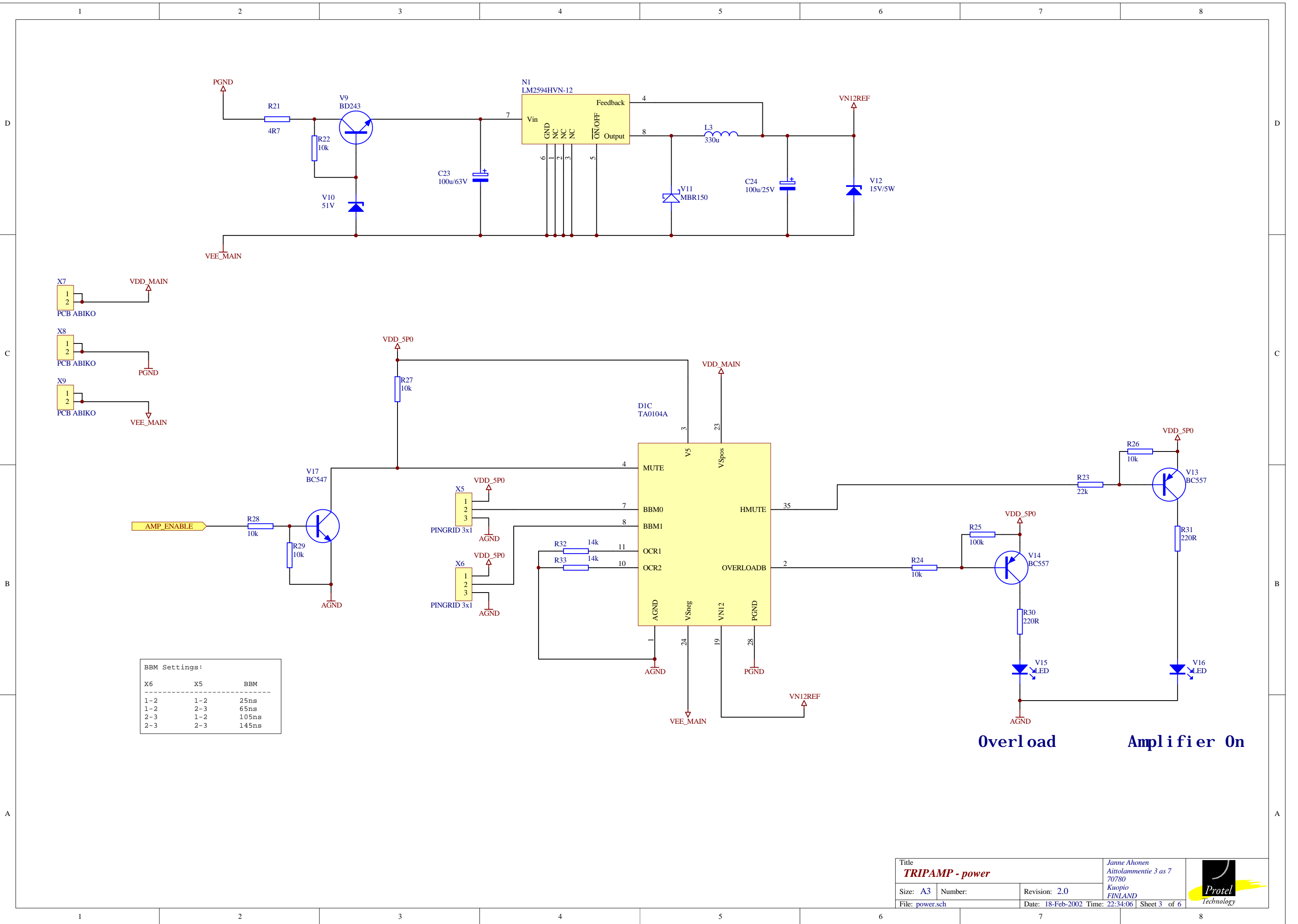


- KR1  
3mm Hole
- KR2  
3mm Hole
- KR3  
3mm Hole
- KR4  
3mm Hole

R15 and R16 are for the DC Offset adjust



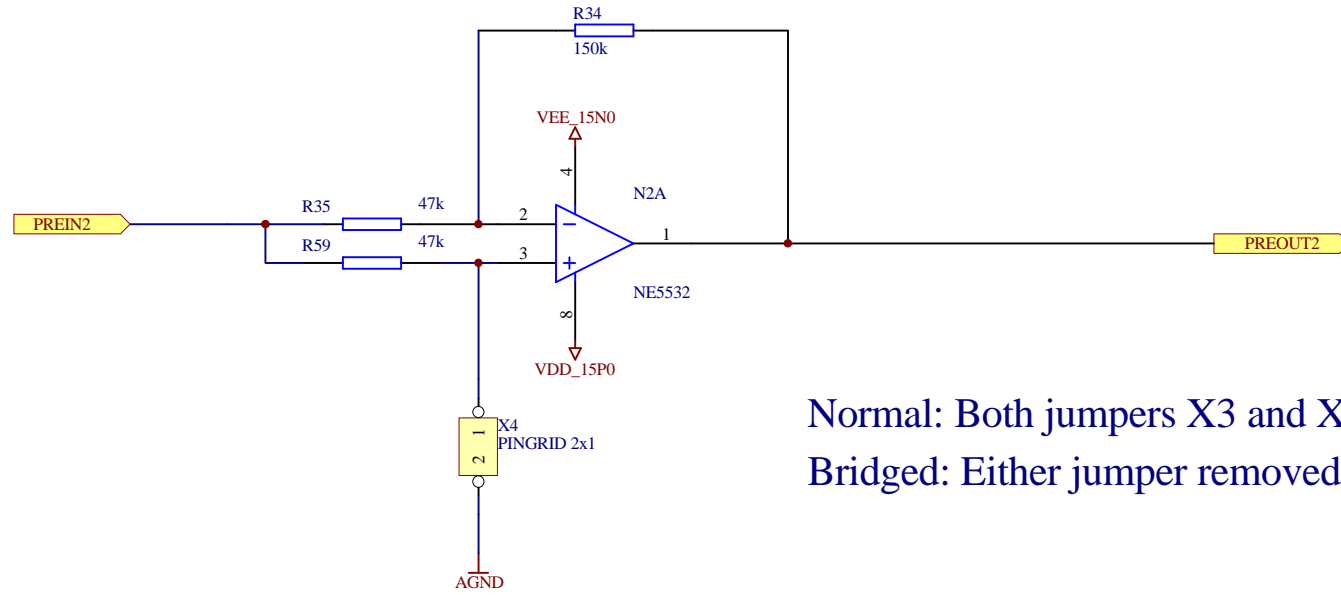
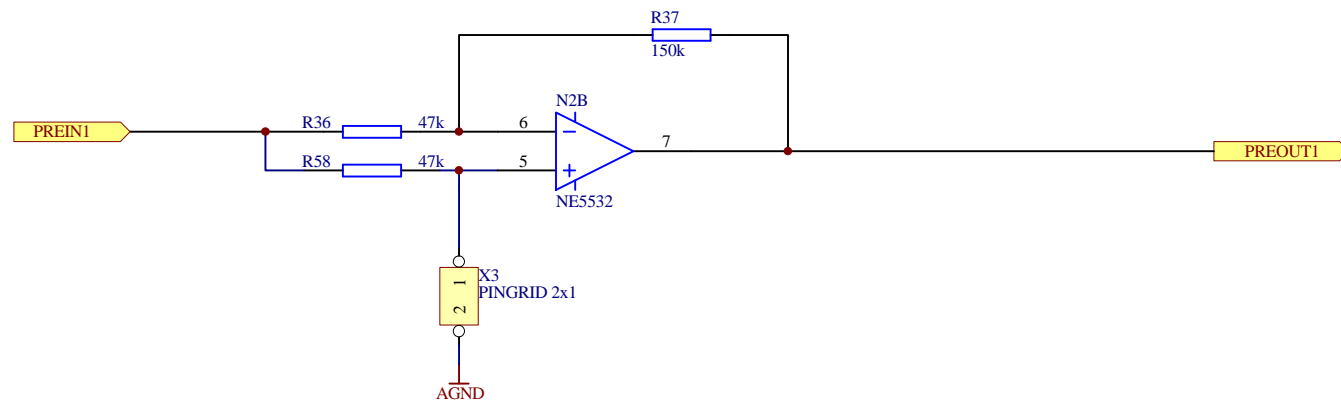
Output filter coils L1 and L2 wound (38 Turns) on Amidon T200-2 Iron powder core



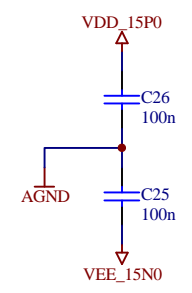
BBM Settings:

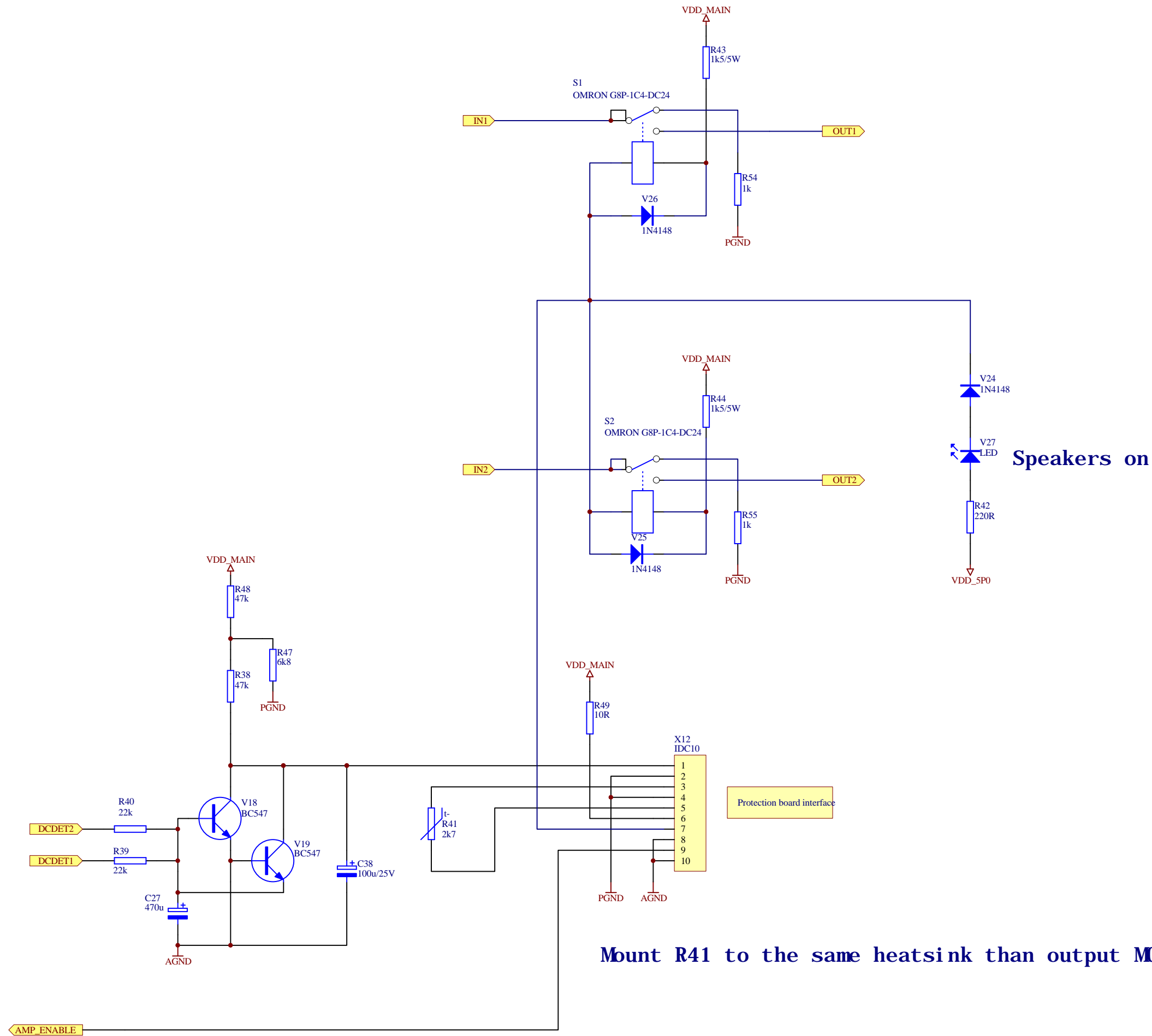
X6	X5	BBM
1-2	1-2	25ns
1-2	2-3	65ns
2-3	1-2	105ns
2-3	2-3	145ns

Overload      Amplifier On



Normal: Both jumpers X3 and X4 installed  
 Bridged: Either jumper removed





Speakers on

Mount R41 to the same heatsink than output MOSFETs

