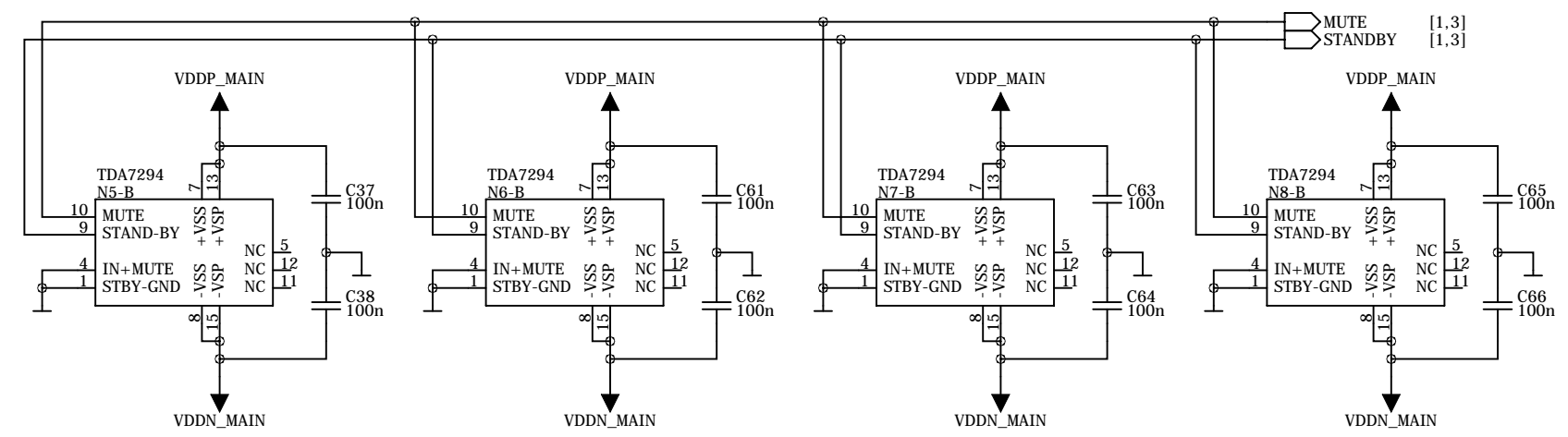
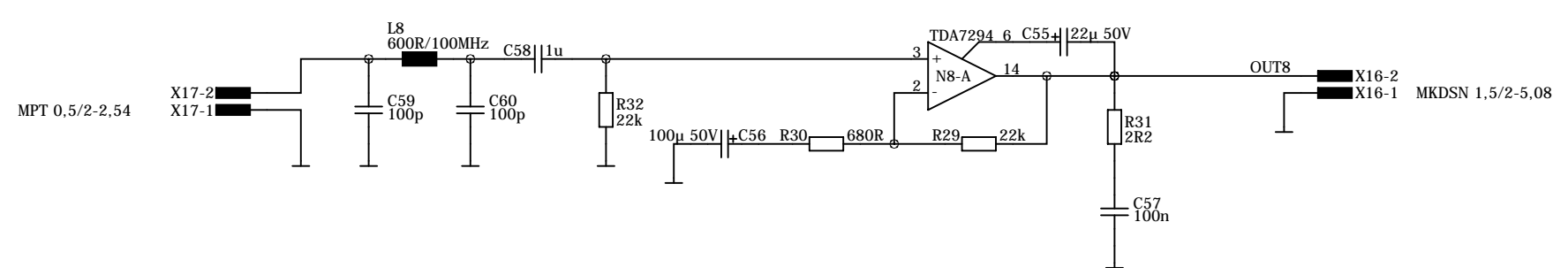
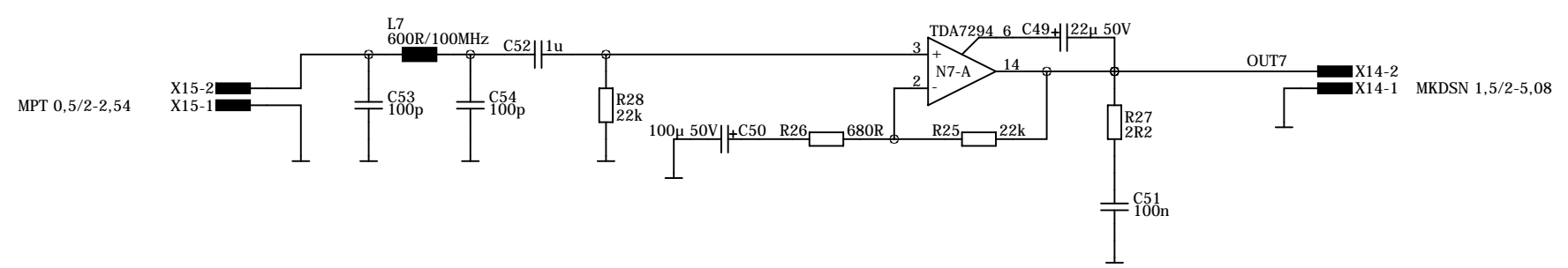
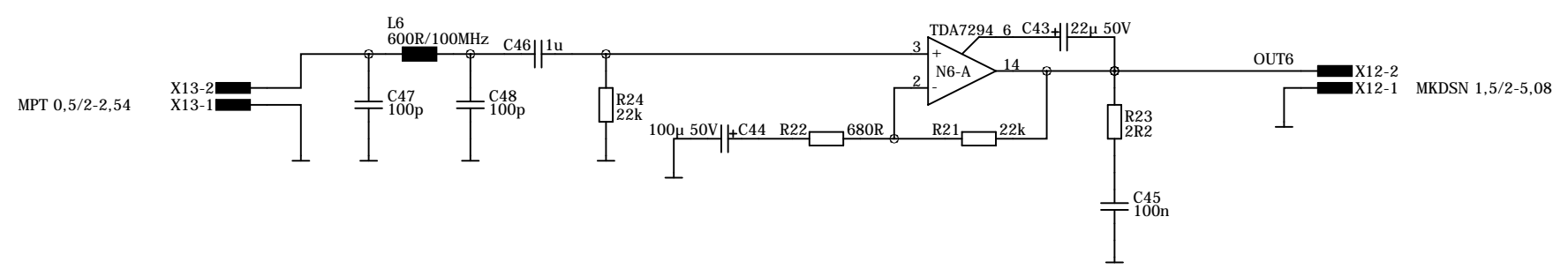
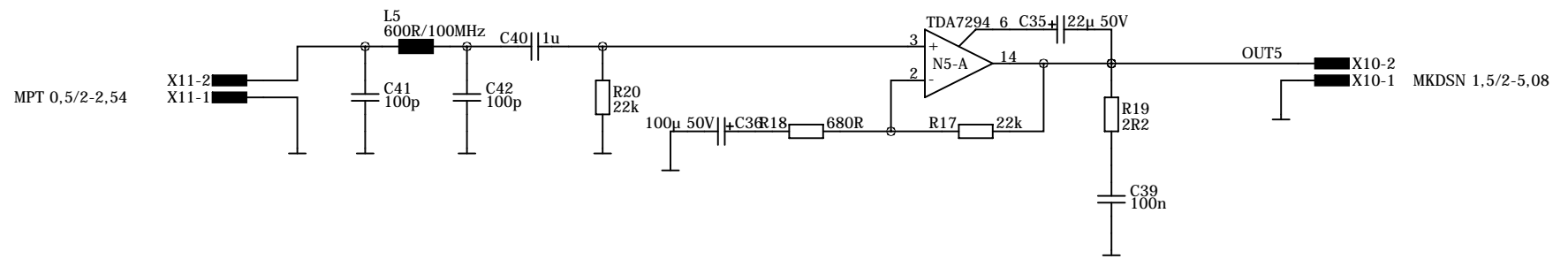
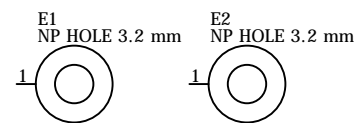
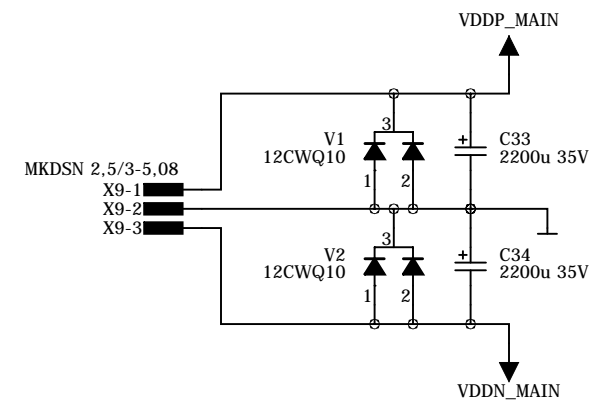
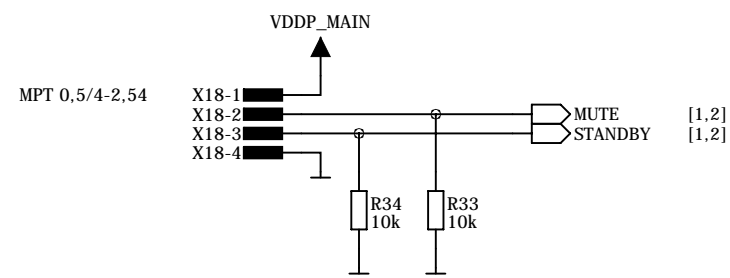


<b>JTA</b> <b>Design</b>	<b>8 channel TDA7294 amplifier</b>	
	Channels 1-4	
	Design date 2013-12-22	File name TDA7294-8CH 01.sch
	Version 01	Sheet 1 OF 3



<b>JTA</b>  <b>Design</b>	<b>8 channel TDA7294 amplifier</b>	
	Channels 5-8	
	Design date 2013-12-22	File name TDA7294-8CH 01.sch
		Version 01 Sheet 2 OF 3



**JTA**  
**Design**

**8 channel TDA7294 amplifier**  
Misc

Design date  
2013-12-22

File name  
TDA7294-8CH 01.sch

Version 01  
Sheet 3 OF 3