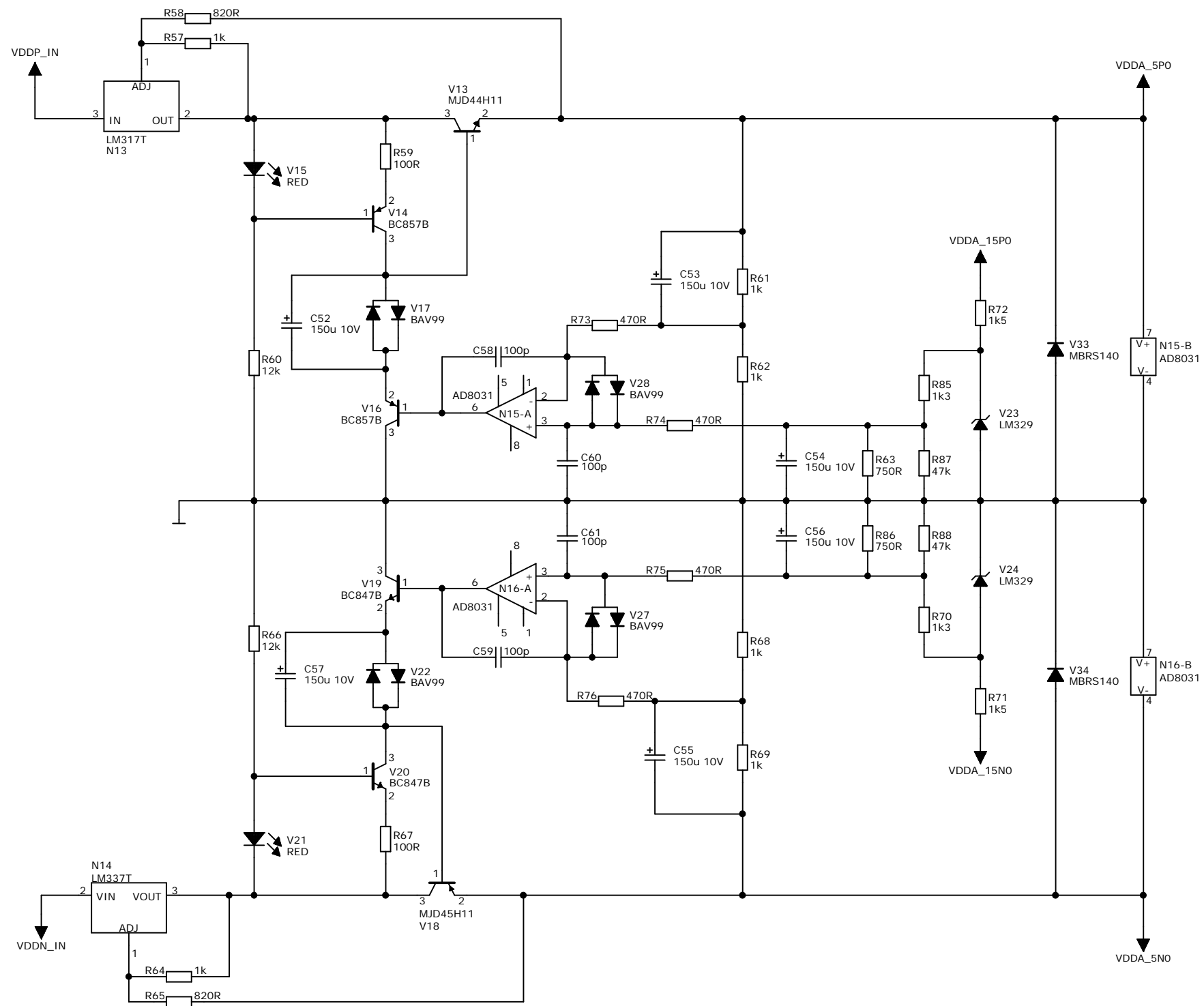
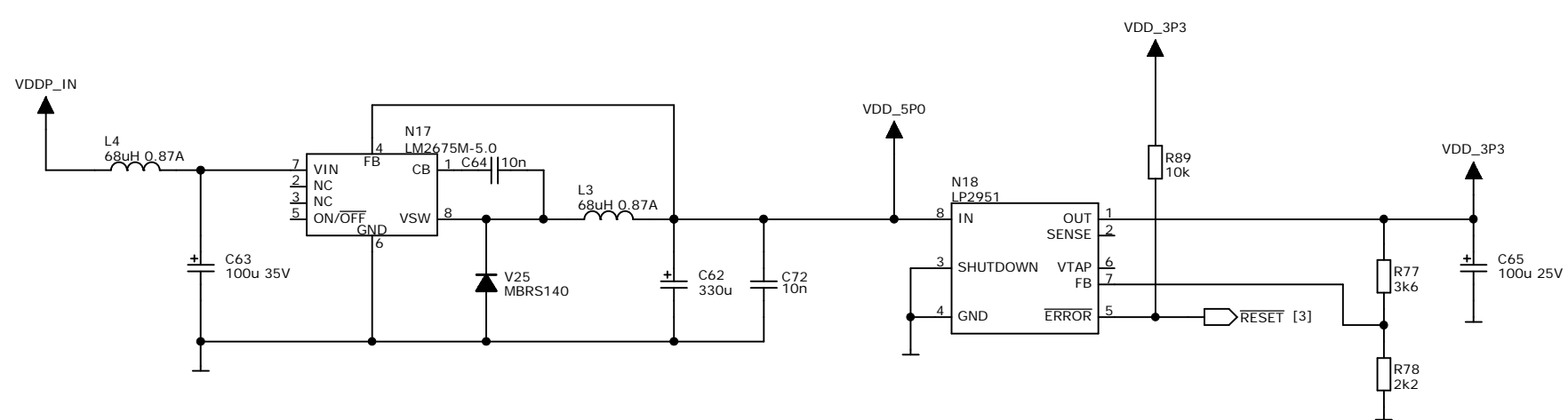
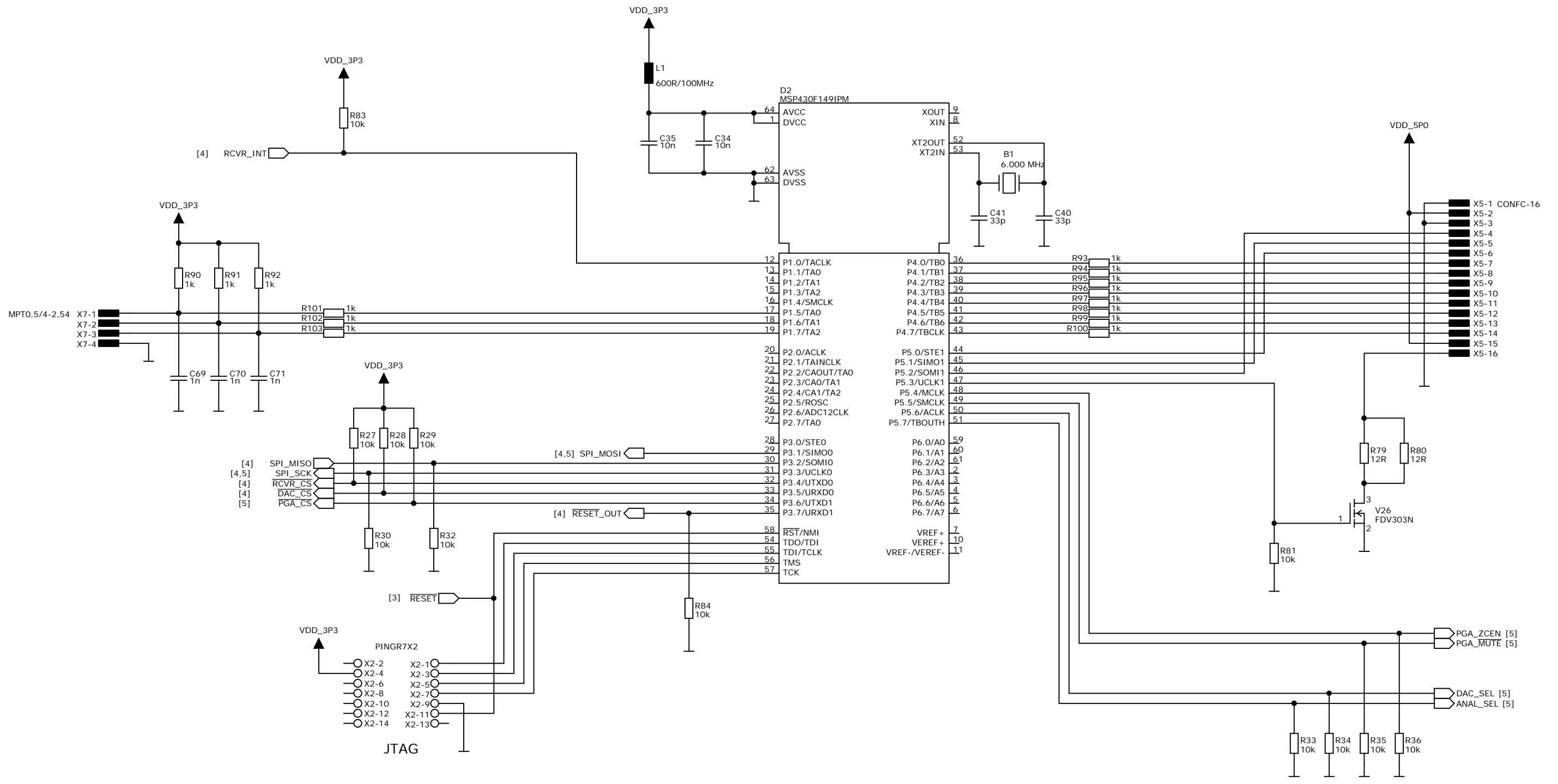


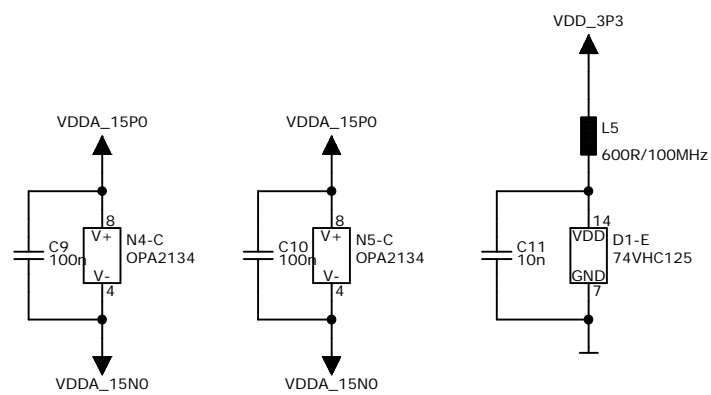
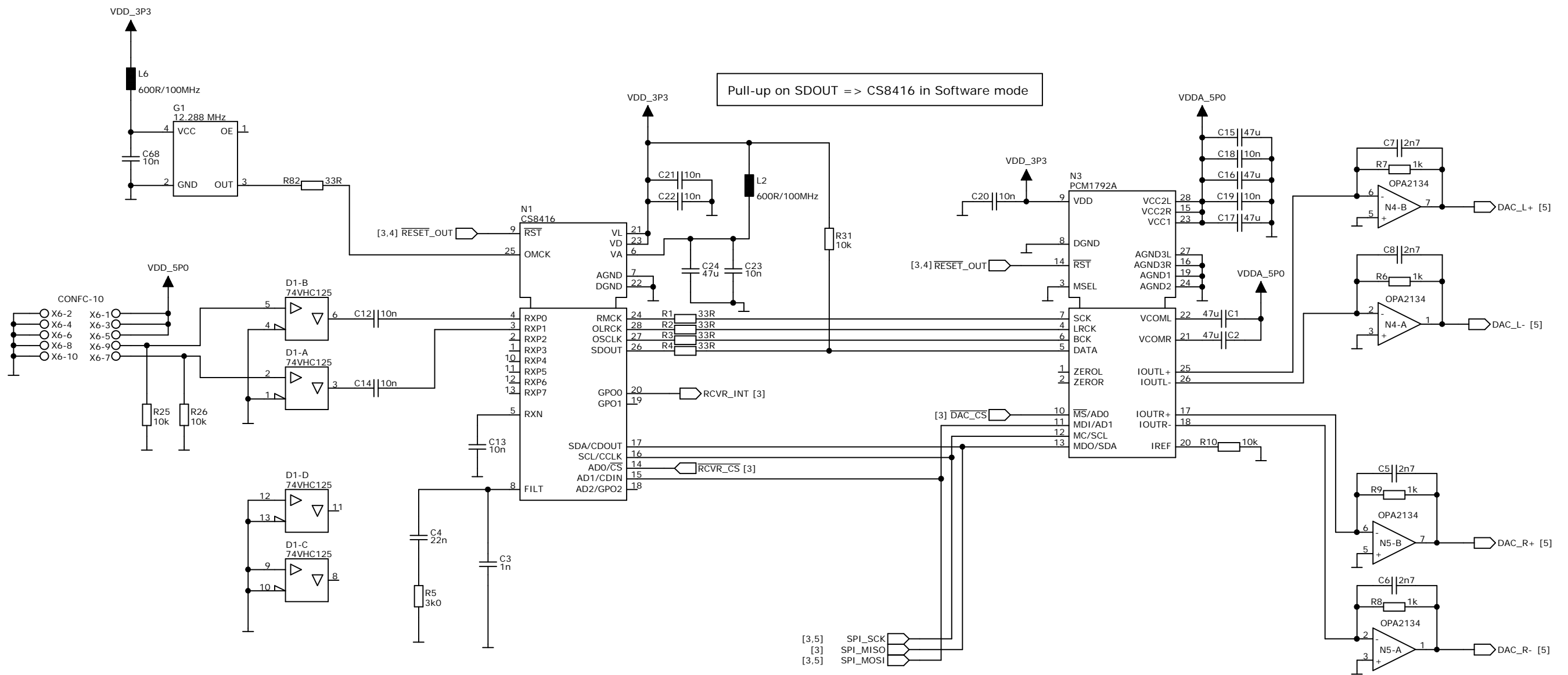
|                                 |   |               |
|---------------------------------|---|---------------|
| <b>JTA</b><br><br><b>Design</b> | <b>PCM1792A DAC Headphones amplifier</b><br>Analog ±15V Power |               |
|                                 | Design date   | File name     |
|                                 | 2007-10-21  | DAC-HPAMP.sch |
|                                 | Version   | 0.01          |
|                                 | Sheet   | 1 OF 5        |



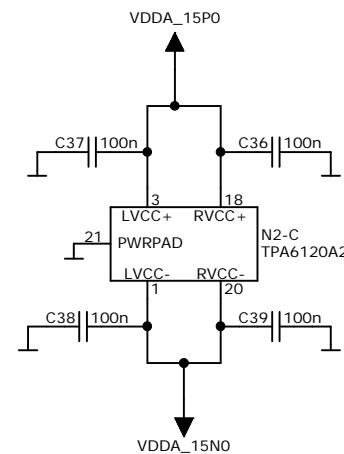
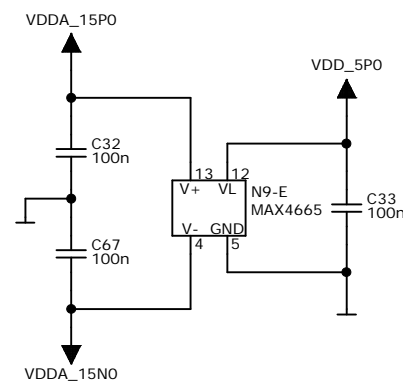
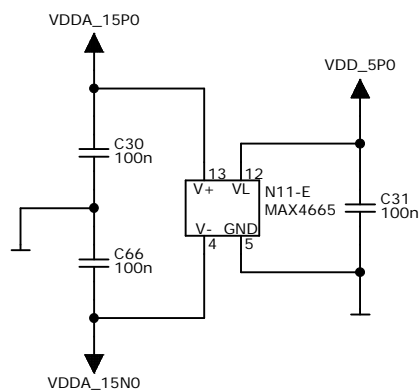
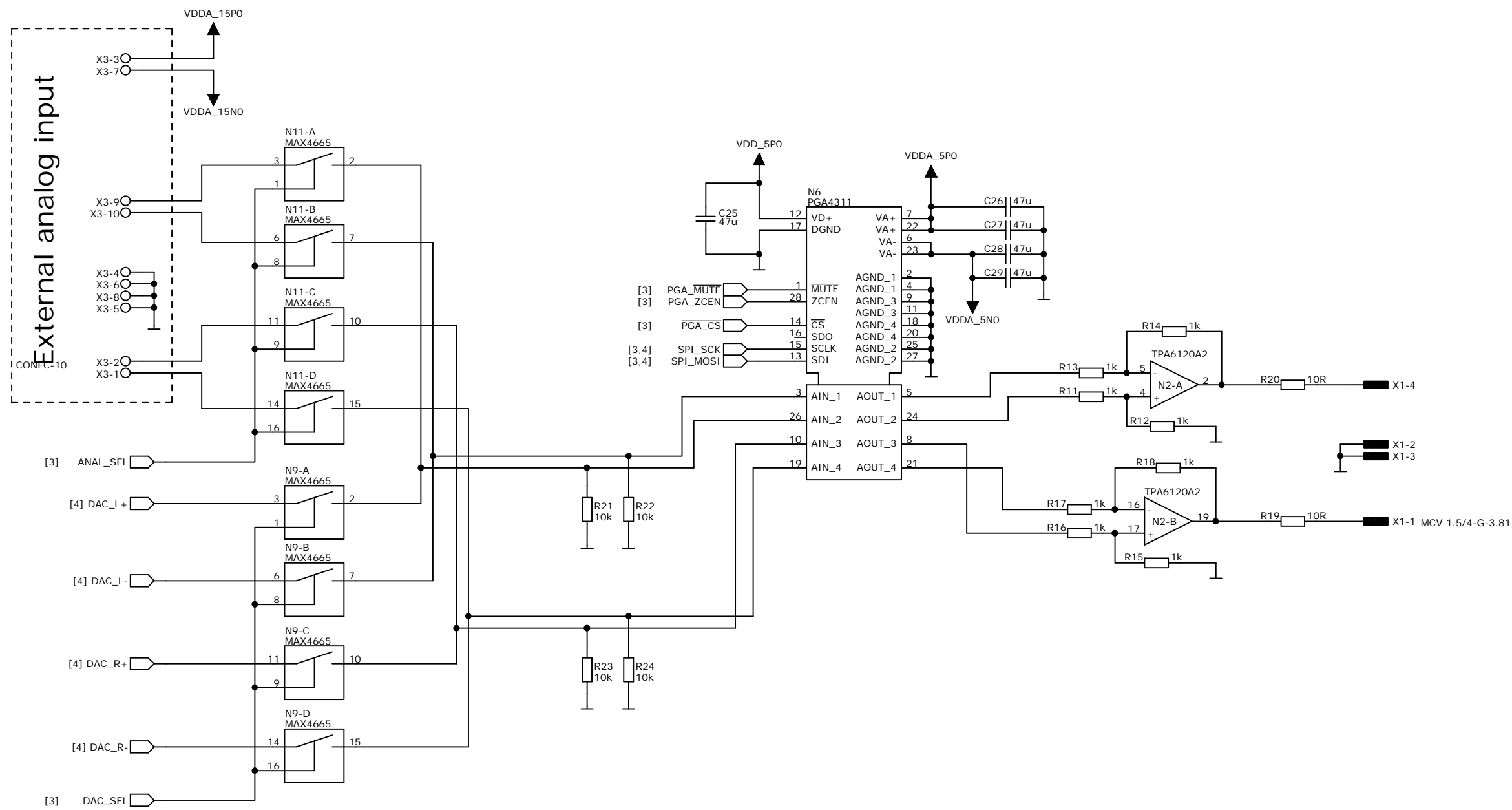
|                                 |  |               |
|---------------------------------|--|---------------|
| <b>JTA</b><br><br><b>Design</b> | <b>PCM1792A DAC Headphones amplifier</b><br>Analog ±5V Power |               |
|                                 | Design date  | File name     |
|                                 | 2007-10-21   | DAC-HPAMP.sch |
|                                 | Version  | 0.01          |
|                                 | Sheet  | 2 OF 5        |



|                         |  |         |
|-------------------------|--|---------|
| <h1>JTA<br/>Design</h1> | <b>PCM1792A DAC Headphones amplifier</b> |         |
|                         | CPU & Display                            |         |
| Design date             | File name                                | Version |
| 2007-10-21              | DAC-HPAMP.sch                            | 0.01    |
| Sheet                   |  | 3 OF 5  |



|                                 |   |                            |                              |
|---------------------------------|---|----------------------------|------------------------------|
| <b>JTA</b><br><br><b>Design</b> | <b>PCM1792A DAC Headphones amplifier</b><br>DAC |                            |                              |
|                                 | Design date<br>2007-10-21                       | File name<br>DAC-HPAMP.sch | Version 0.01<br>Sheet 4 OF 5 |



JTA  
Design

### PCM1792A DAC Headphones amplifier

Input MUX & PGA & Output amplifier

Design date  
2007-10-21

File name  
DAC-HPAMP.sch

Version 0.01  
Sheet 5 OF 5