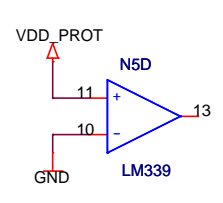
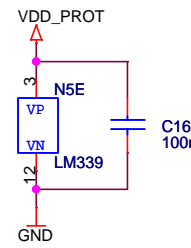


Amplifier Softstart
Mute output

Amplifier Softstart
Relay output



JTA Design		Project	
		LFE Crossover	
		Title	
		Power Supply & Protection circuit	
Size	Document Number	File Name	Rev
A3	<Doc>		1.0
Date:		Monday, January 01, 2007	Sheet 1 of 3

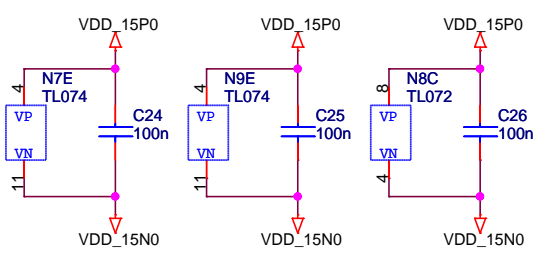
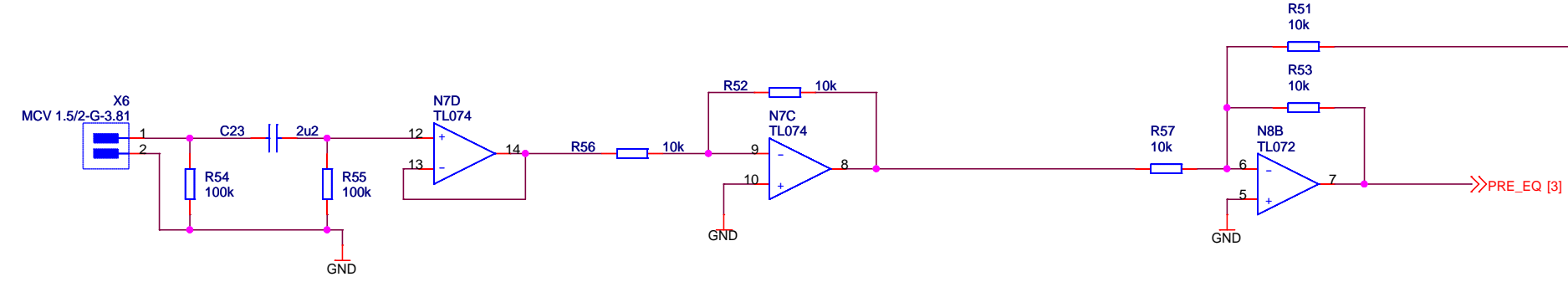
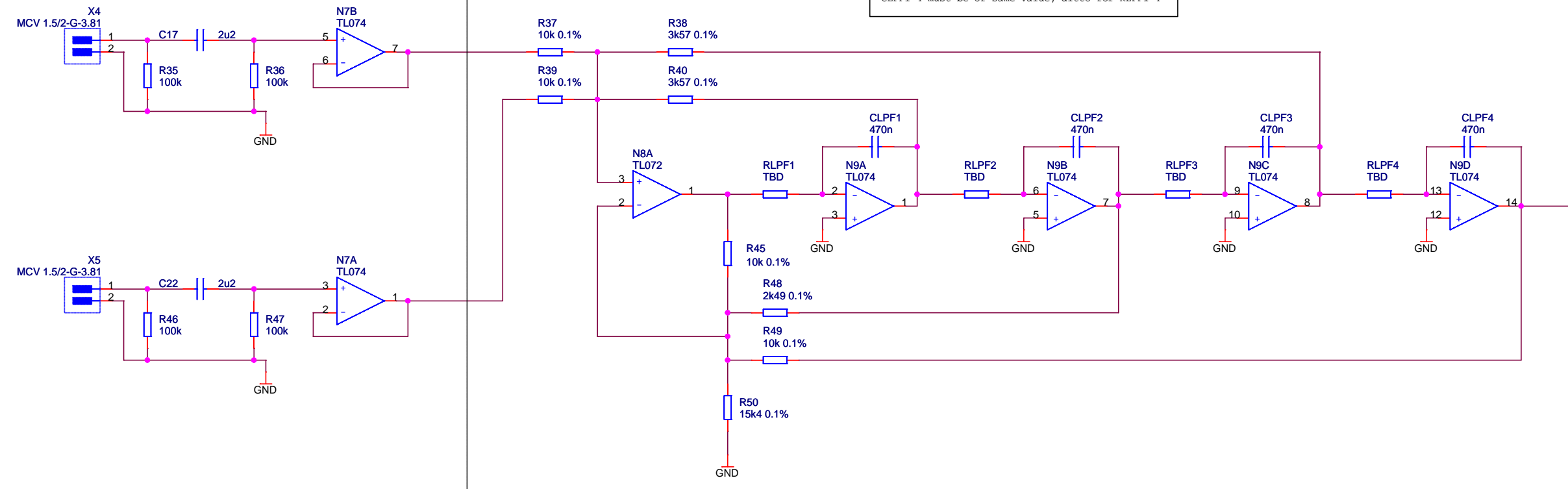
Main IN 1

Main IN 2

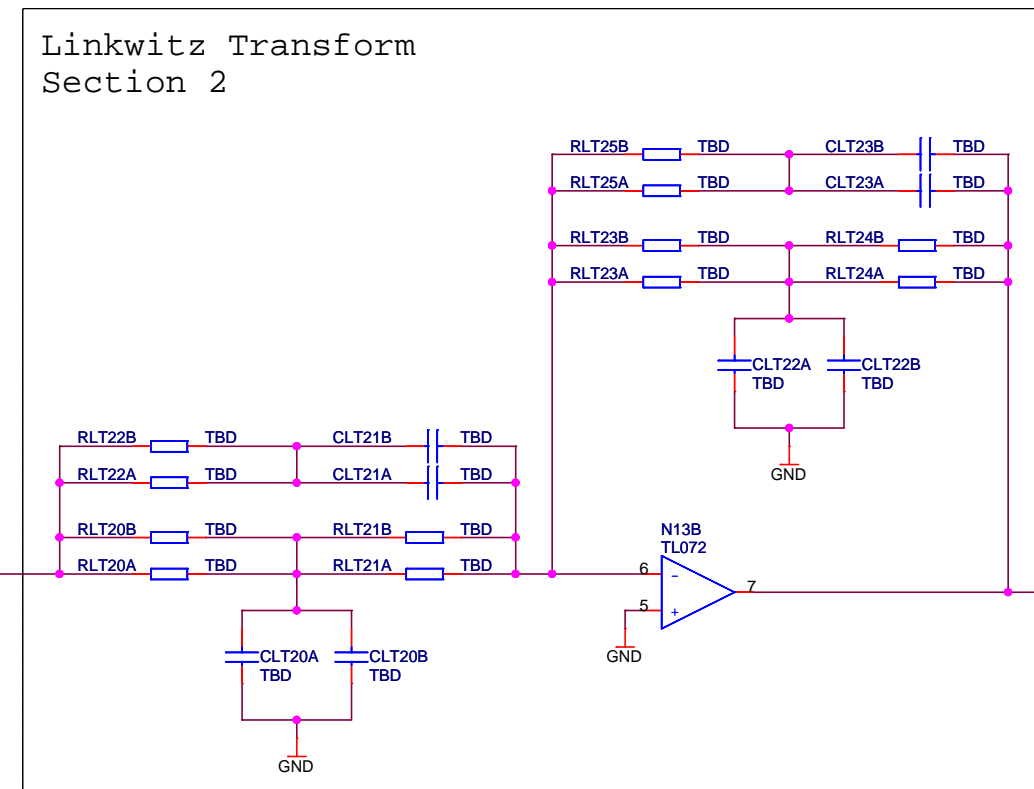
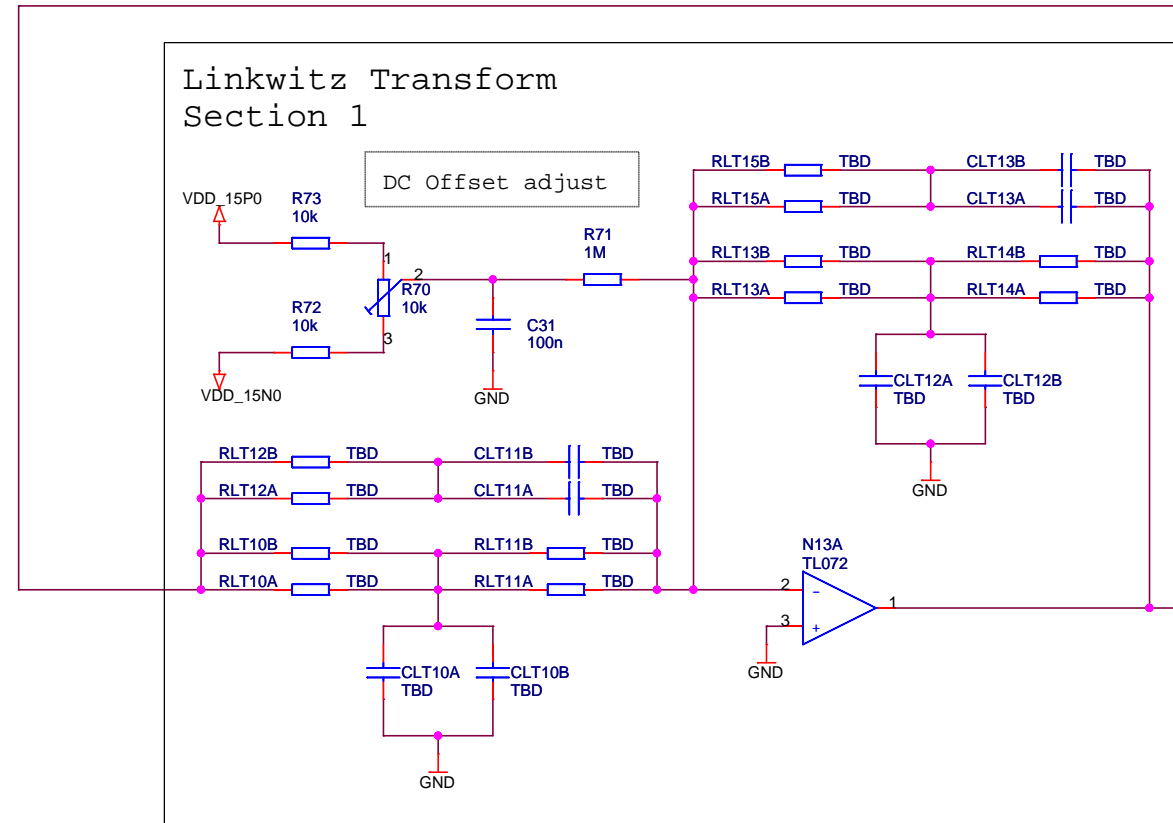
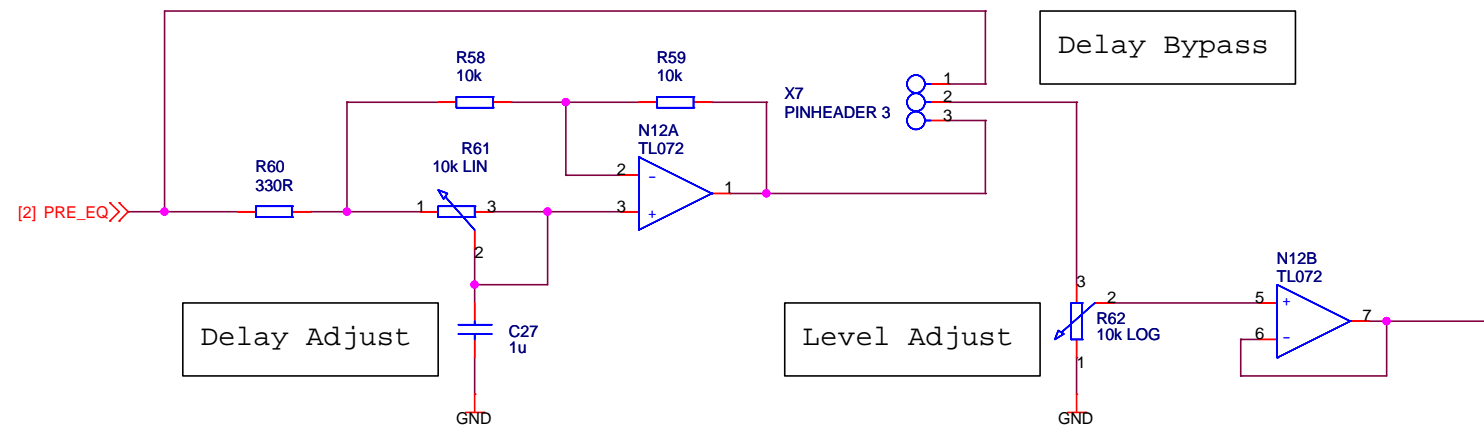
LFE IN

Low-pass section

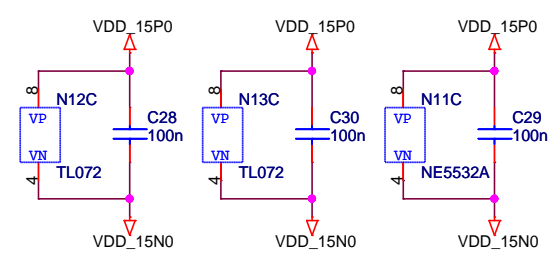
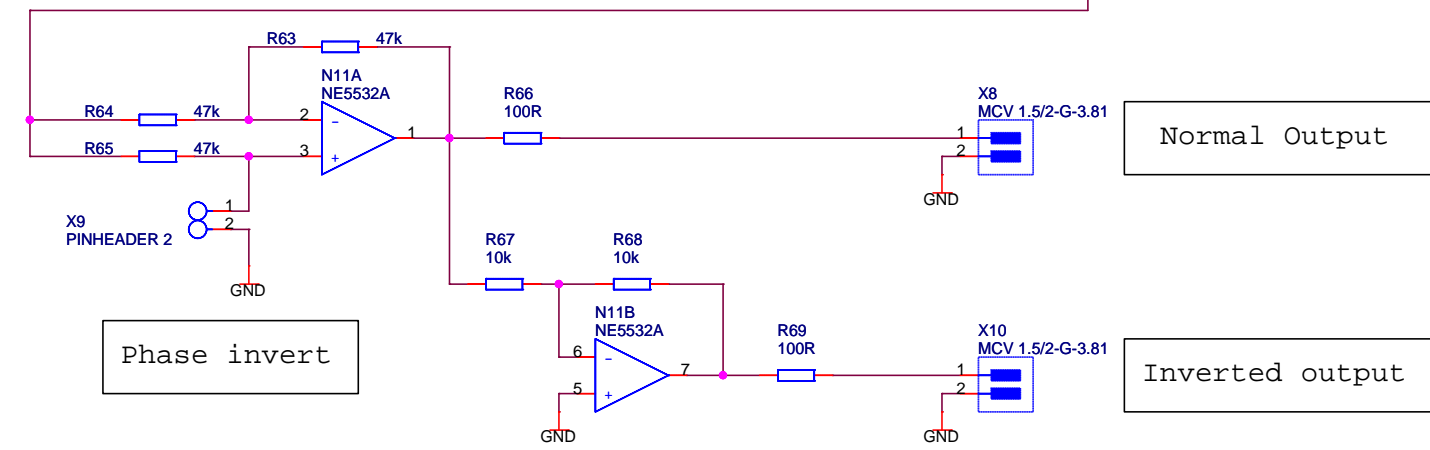
Low-pass -6 dB frequency
 $f = 1 / (2 * \pi * CLPF * RLPF)$
 CLPF1-4 must be of same value, ditto for RLPF1-4



JTA Design		Project: LFE Crossover	
		Title: Signal inputs & Main lowpass	
Size: A3	Document Number: <Doc>	File Name:	Rev: 1.0
Date: Monday, January 01, 2007		Sheet 2 of 3	



Two Linkwitz Transform sections for special low-Q cases. Normally, one of these is an inverter.



JTA Design		Project: LFE Crossover	
		Title: Linkwitz Transform & output	
Size: A3	Document Number: <Doc>	File Name:	Rev: 1.0
Date: Monday, January 01, 2007	Sheet: 3 of 3		