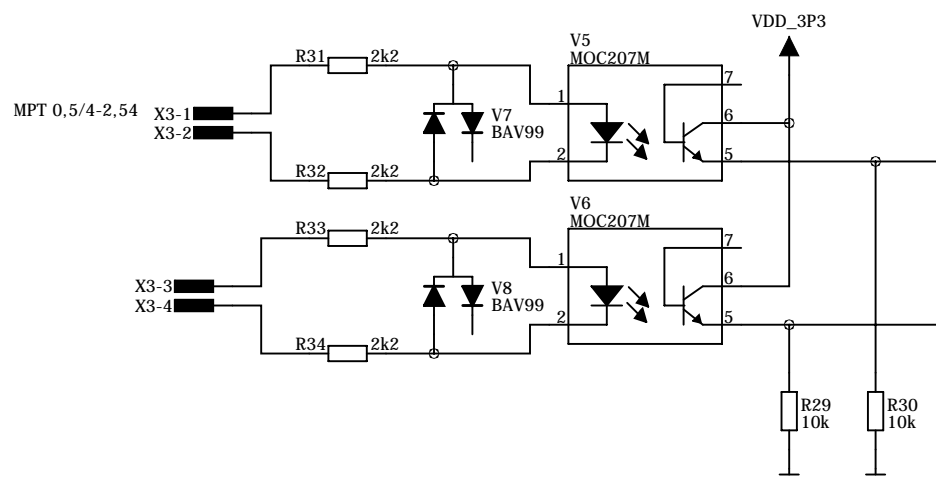
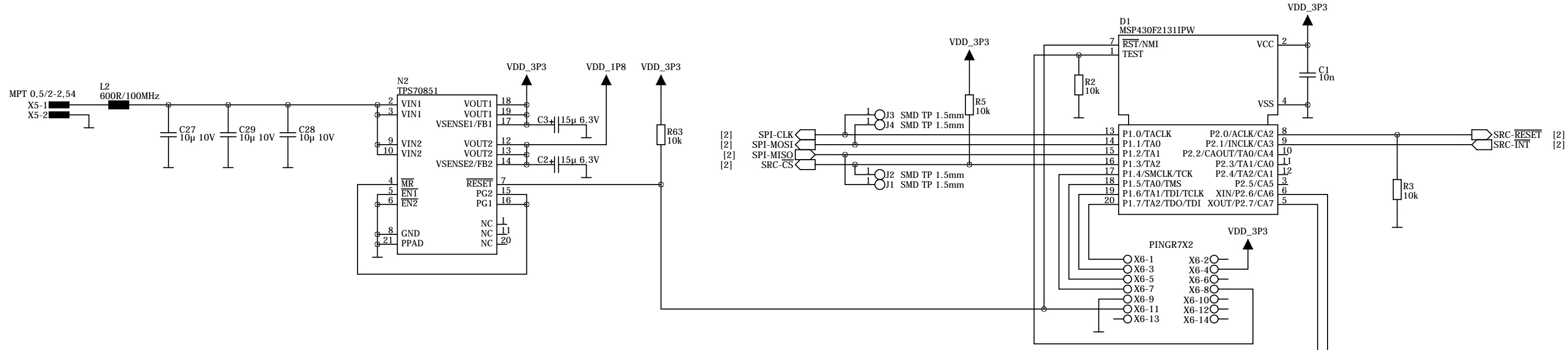
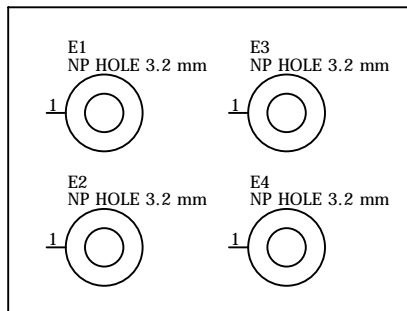
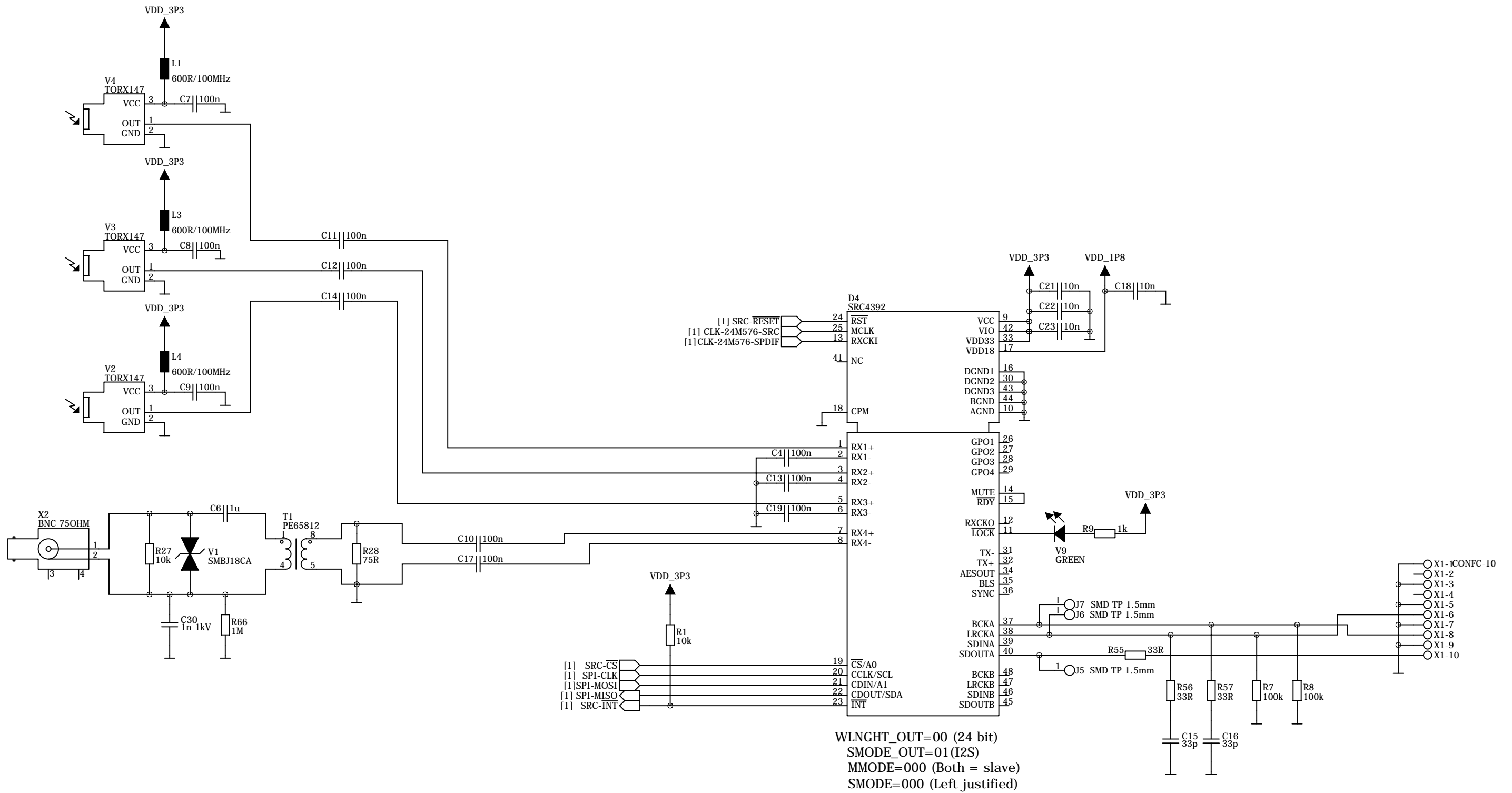


Master clock to DCX2496



JTA Design	DCX2496 Digital input and SRC fix	
	SRC & master clock	
	Design date 2011-02-13	File name DCX2496-DigIn-02.sch
	Version 02	Sheet 1 OF 2



JTA Design	DCX2496 Digital input and SRC fix SPDIF receiver / SRC	
	Design date 2011-02-13	File name DCX2496-DigIn-02.sch
		Version 02 Sheet 2 OF 2